

Protection plugs Protection caps

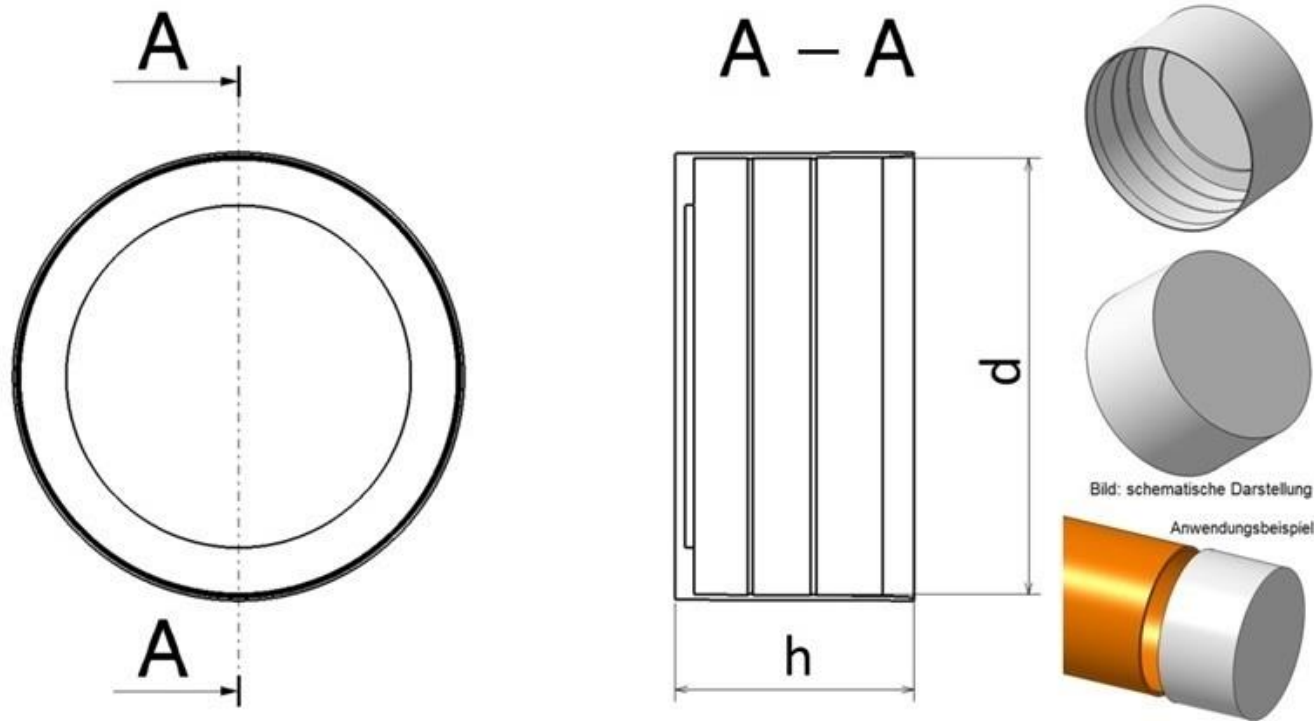


Please follow the link for more information by clicking on the image of the desired article.



**Found
nothing?**

Contact us! With our tool making know-how we are the perfect partner for your projects.



The cap shown here is used as for the protection of the end of pipes and pipe threads. It is available in many sizes.

Minimum/ maximum dimensions according to sketch:

See data table for details.

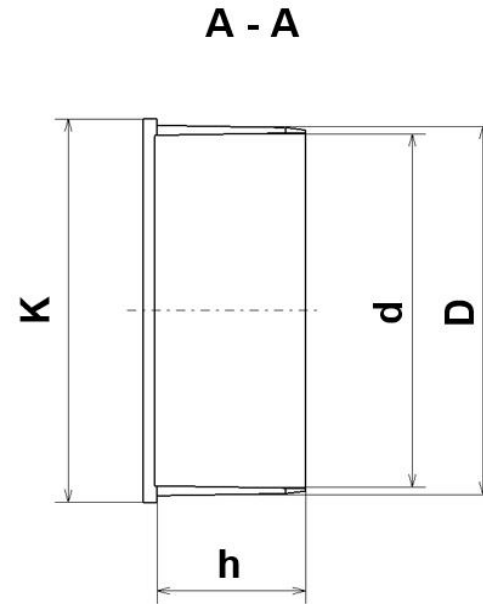
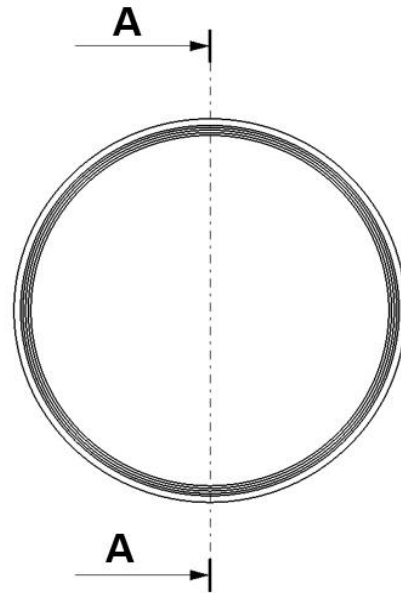
h	17,0 mm to 47,0 mm	Material: LD polyethylene
d	10,2 mm to 114,3 mm	Tolerance: according to DIN 16901 – 150

Please contact us.

For a test in your house we will gladly provide you with an assortment of this type of plug.

The trial package is **free** for you.

[← Back to page 1](#)



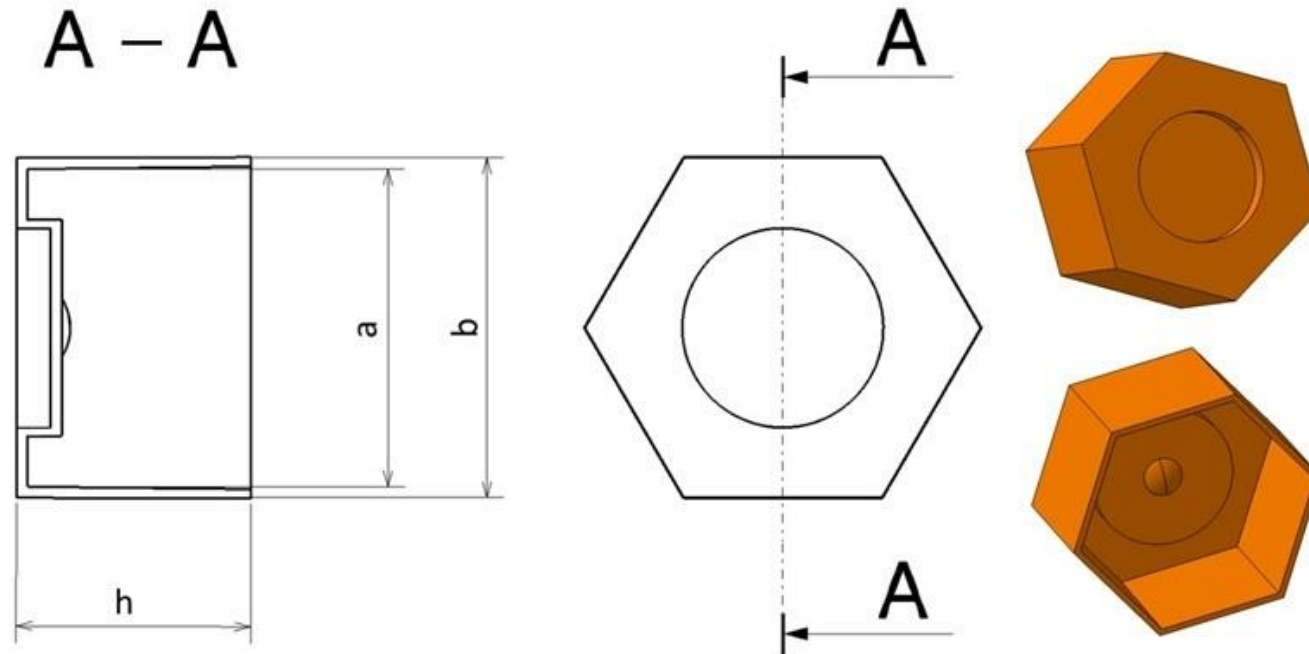
This part is used as protective cap or protective plug.
It is destined for inside use in holes and drilling holes.
It is available in many sizes.

Minimum/ maximum dimensions according to sketch:
See data table for details.

K	12,5 mm to 105,0 mm	Material:	LD polyethylene
h	4,0 mm to 33,0 mm	Tolerance:	according to DIN 16901 – 150
d	3,0 mm to 97,0 mm		
D	5,0 mm to 101,0 mm		

Please contact us.
For a test in your house we will gladly provide
you with an assortment of this
type of plug.
The trial package is **free** for you.

[← Back to page 1](#)



This part is used as protective cap for covering hexagonal screws and nuts.

It is available in many sizes.

Minimum/ maximum dimensions according to sketch:

See data table for details.

h 19,2 mm to 27,0 mm
 a 14,2 mm to 55,9 mm
 b 16,0 mm to 59,4 mm

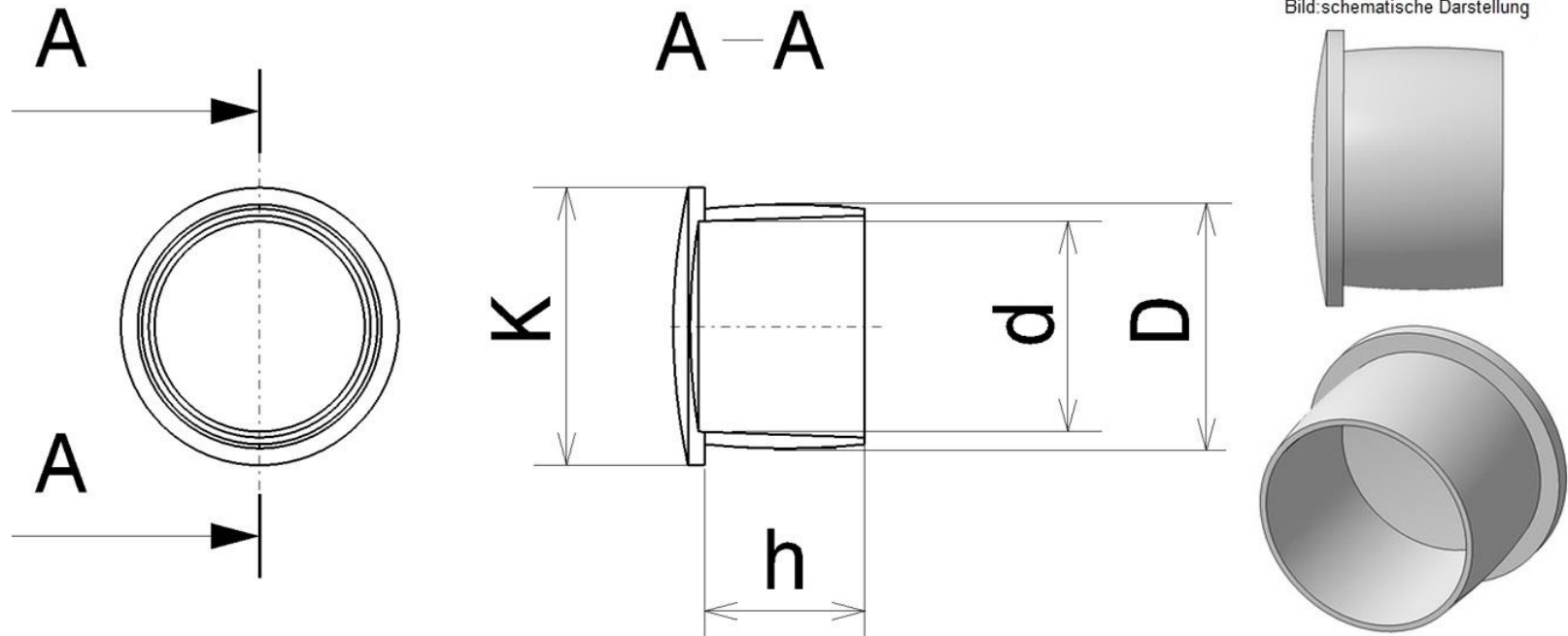
Material: LD polyethylene
 Tolerance: according to DIN 16901 – 150

Please contact us.

For a test in your house we will gladly provide you with an assortment of this type of plug.

The trial package is **free** for you.

[← Back to page 1](#)



This part is used as protective cap or protective plug.
 It is destined for inside use in holes and drilling holes.
 It is available in many sizes.

Minimum/ maximum dimensions according to sketch:
 See data table for details.

K	5,5 mm to 78,5 mm
h	6,0 mm to 22,0 mm
d	2,5 mm to 68,0 mm
D	3,5 mm to 72,5 mm

Material: LD polyethylene
 Tolerance: according to DIN 16901 – 150

Please contact us.
 For a test in your house we will gladly provide
 you with an assortment of this
 type of plug.
 The trial package is **free** for you.

[← Back to page 1](#)

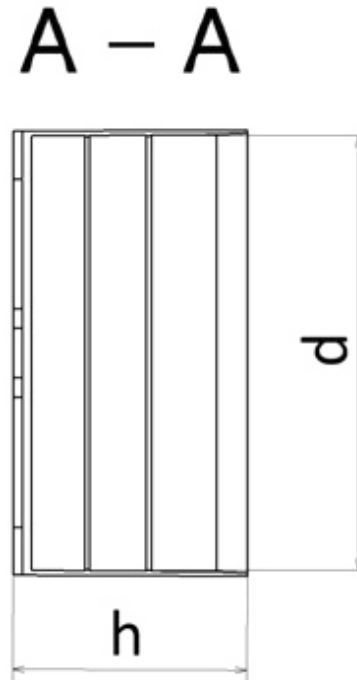
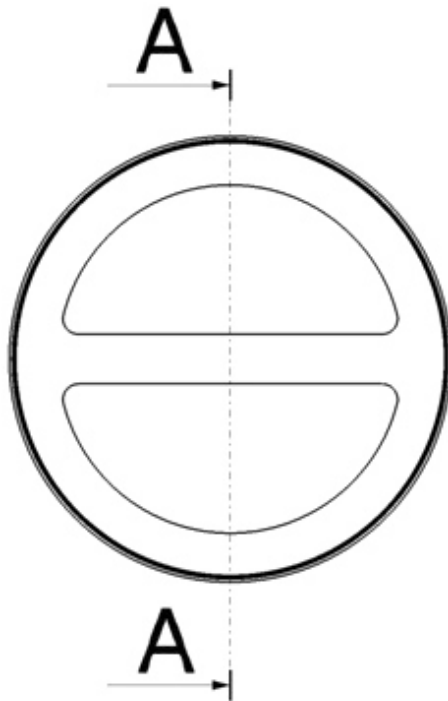
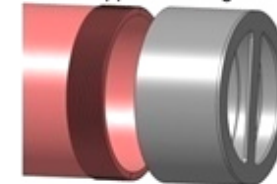


Bild: schematische Darstellung



Anwendungsbeispiel
Schutzkappe für Rohrgewinde



The cap shown here is used as for the protection of the end of pipes and pipe threads. It is available in many sizes.

Minimum/ maximum dimensions according to sketch:

See data table for details.

h 22,0 mm to 44,0 mm

Material: LD polyethylene

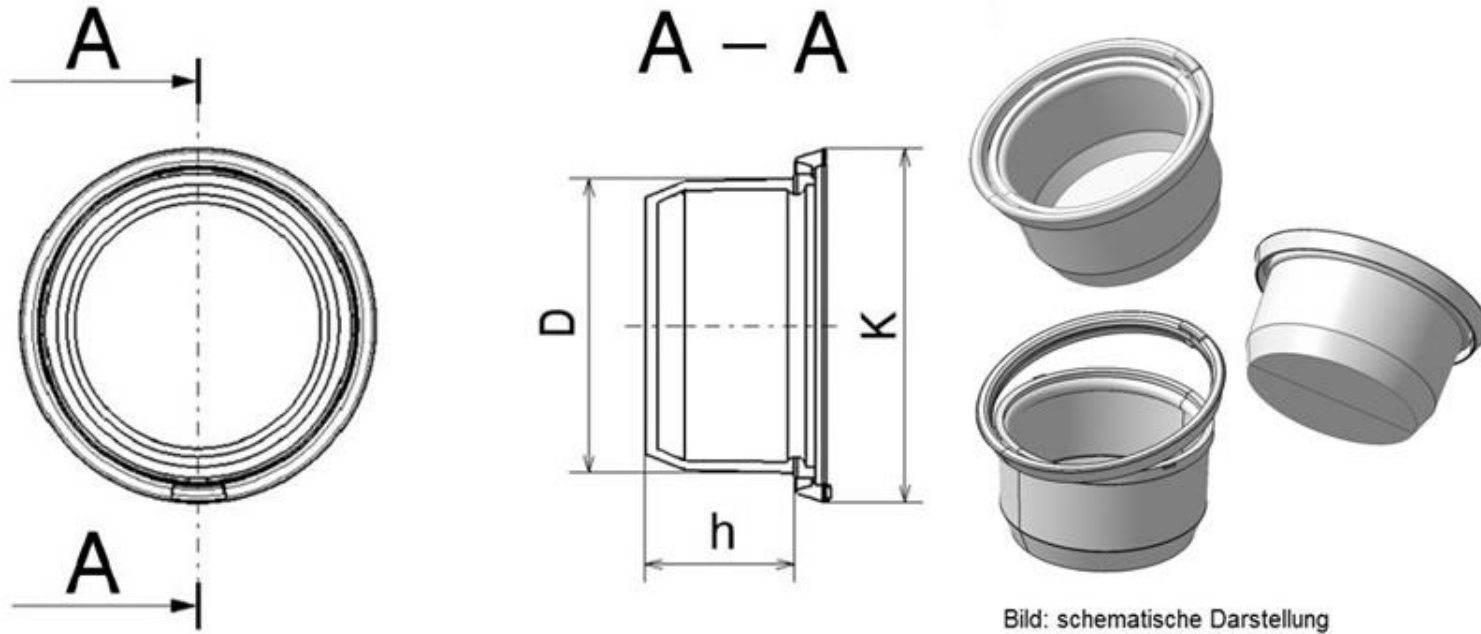
d 20,8 mm to 70,5 mm

Tolerance: according to DIN 16901 – 150

Please contact us.

For a test in your house we will gladly provide you with an assortment of this type of plug.

The trial package is **free** for you.



This part is used as protective cap or protective plug, with flap. It is destined for inside use in holes and drilling holes. It is available in many sizes.

Minimum/ maximum dimensions according to sketch:

See data table for details.

K	12,5 mm to 42,5 mm	Material:	LD polyethylene
h	5,0 mm to 16,0 mm	Tolerance:	according to DIN 16901 – 150
D	6,0 mm to 35,0 mm		

Please contact us.
 For a test in your house we will gladly provide you with an assortment of this type of plug.
 The trial package is **free** for you.

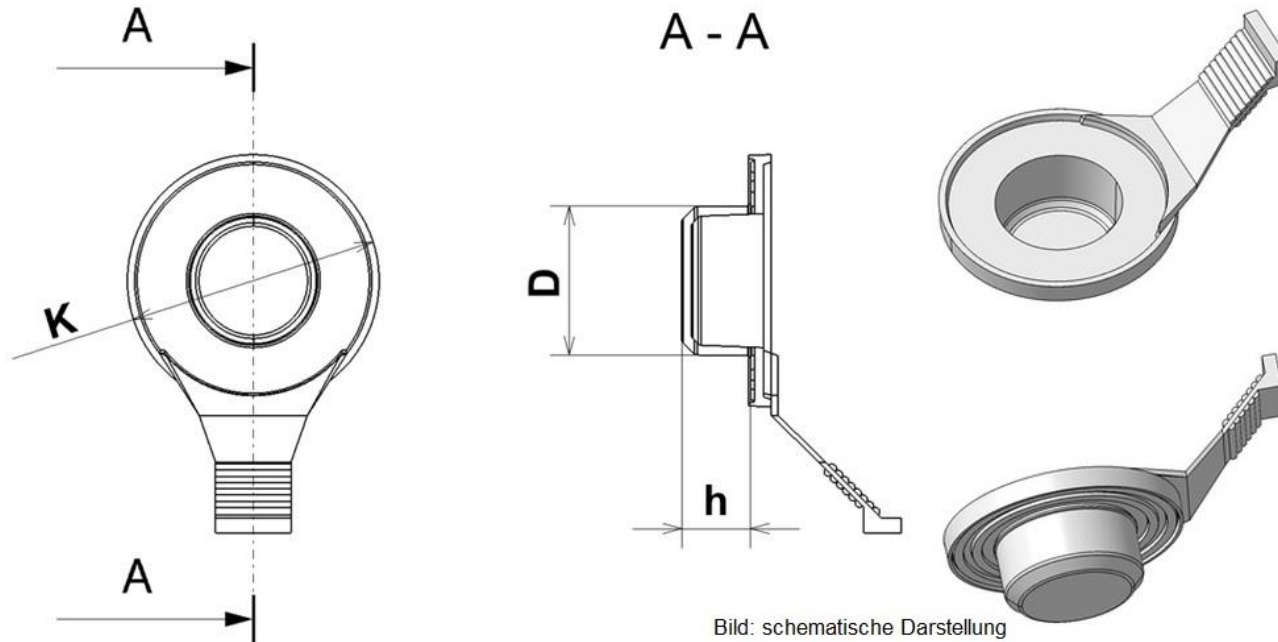


Bild: schematische Darstellung

This part is used as protective cap or protective plug, with flap.
It is destined for inside use in holes/ drilling holes and protection of
internal threads. It is available in many sizes.

Minimum/ maximum dimensions according to sketch:

See data table for details.

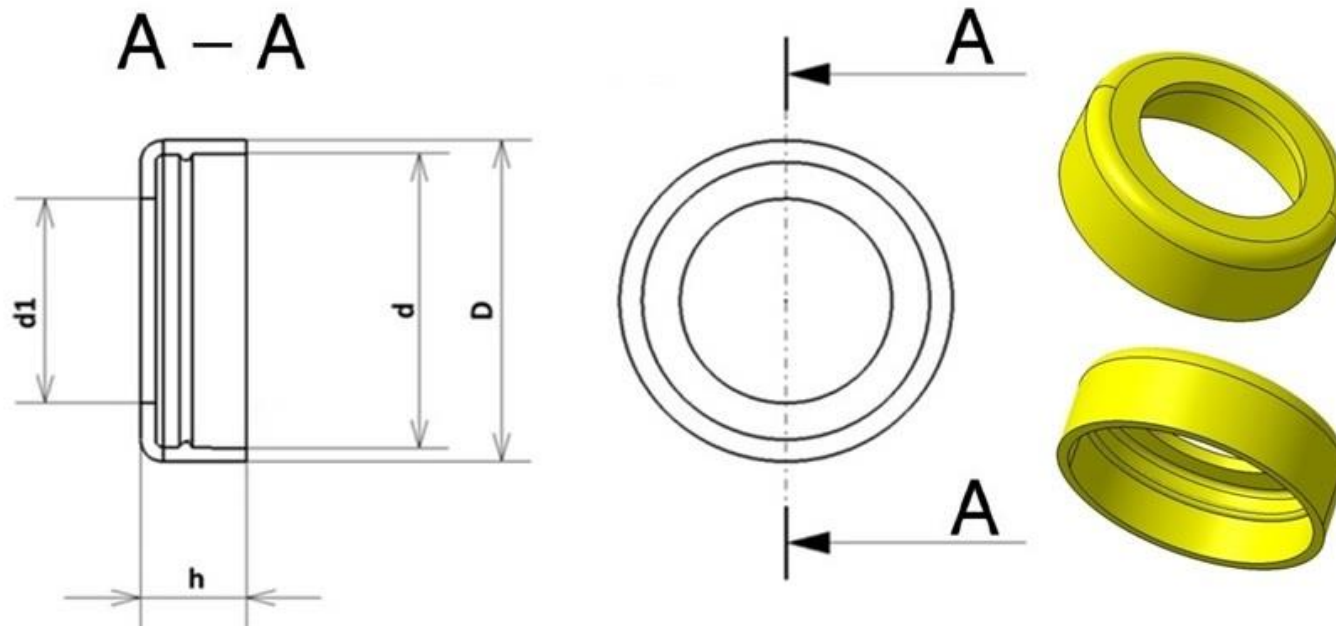
K	19,6 mm to 25,6 mm	Material:	LD polyethylene
h	6,5 mm to 7,0 mm	Tolerance:	according to DIN 16901 – 150
D	9,3 mm to 15,1 mm		

Please contact us.

For a test in your house we will gladly
provide you with an assortment of this
type of plug.

The trial package is **free** for you.

[← Back to page 1](#)



The cap shown here is used as for the protection of the end of pipes and pipe threads. It is available in many sizes.

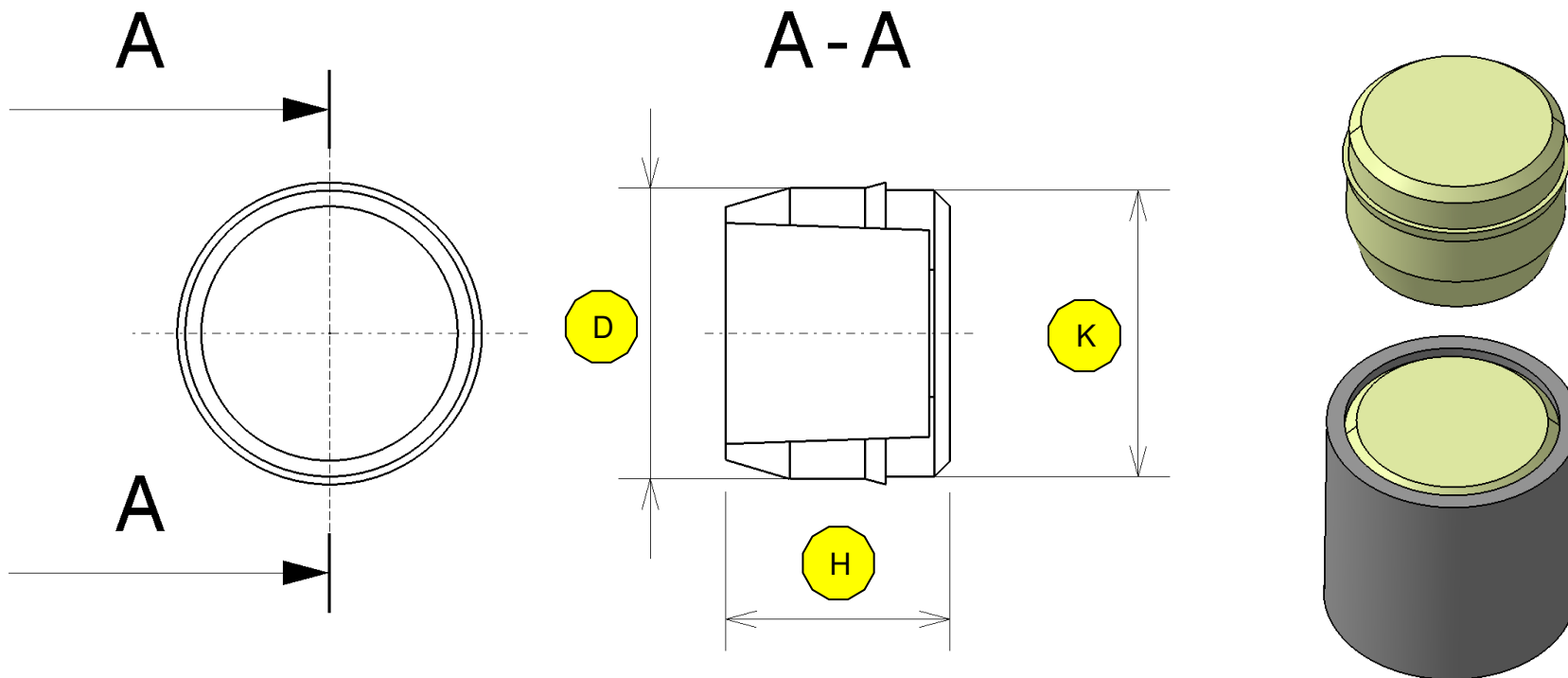
Minimum/ maximum dimensions according to sketch:

See data table for details.

d1	5,7 mm to 27,6 mm	Material:	TPC-ET (Thermoplastic copolyester elastomere)
h	5,0 mm to 10,0 mm	Tolerance:	according to DIN 16901 – 150
D	12,1 mm to 34,5 mm		
D	14,1 mm to 37,5 mm		

Please contact us.
 For a test in your house we will gladly provide you with an assortment of this type of plug.
 The trial package is **free** for you.

[← Back to page 1](#)



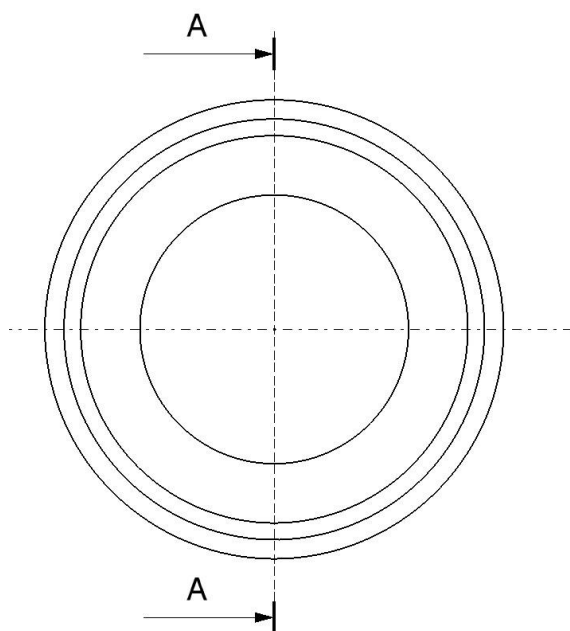
This part is used as protective plug.
 Dimensions according to sketch:

K 17,8 mm
 H 9,0 mm
 D 18,2 mm

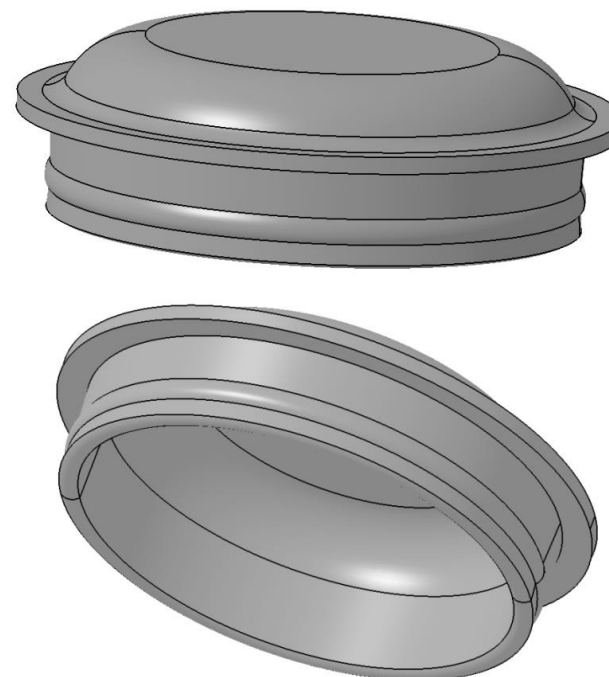
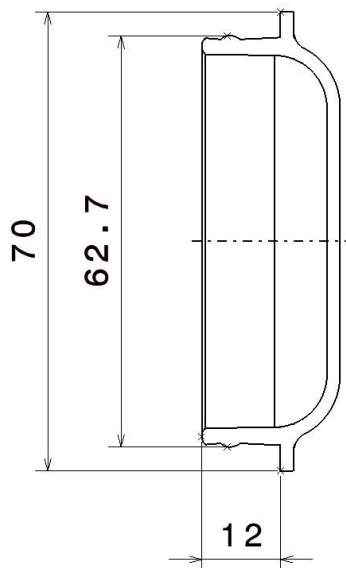
Material: LD polyethylene
 Tolerance: according to DIN 16901 – 150

Please contact us.
 For a test in your house we will gladly provide you with an assortment of this type of plug.
 The trial package is **free** for you.

[← Back to page 1](#)



Schnittansicht A-A

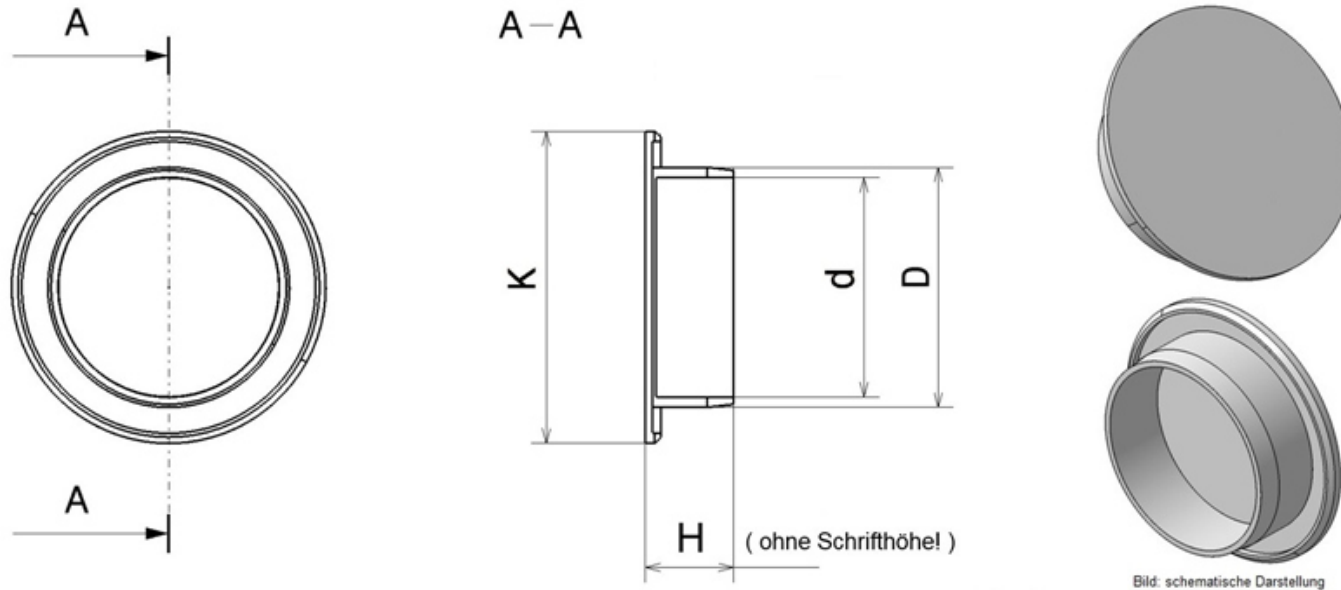


This part is used as protective plug.
Dimensions according to sketch:

Material: LD polyethylene
Tolerance: according to DIN 16901 – 150

Please contact us.
For a test in your house we will gladly
provide you with an assortment of this
type of plug.
The trial package is **free** for you.

[← Back to page 1](#)



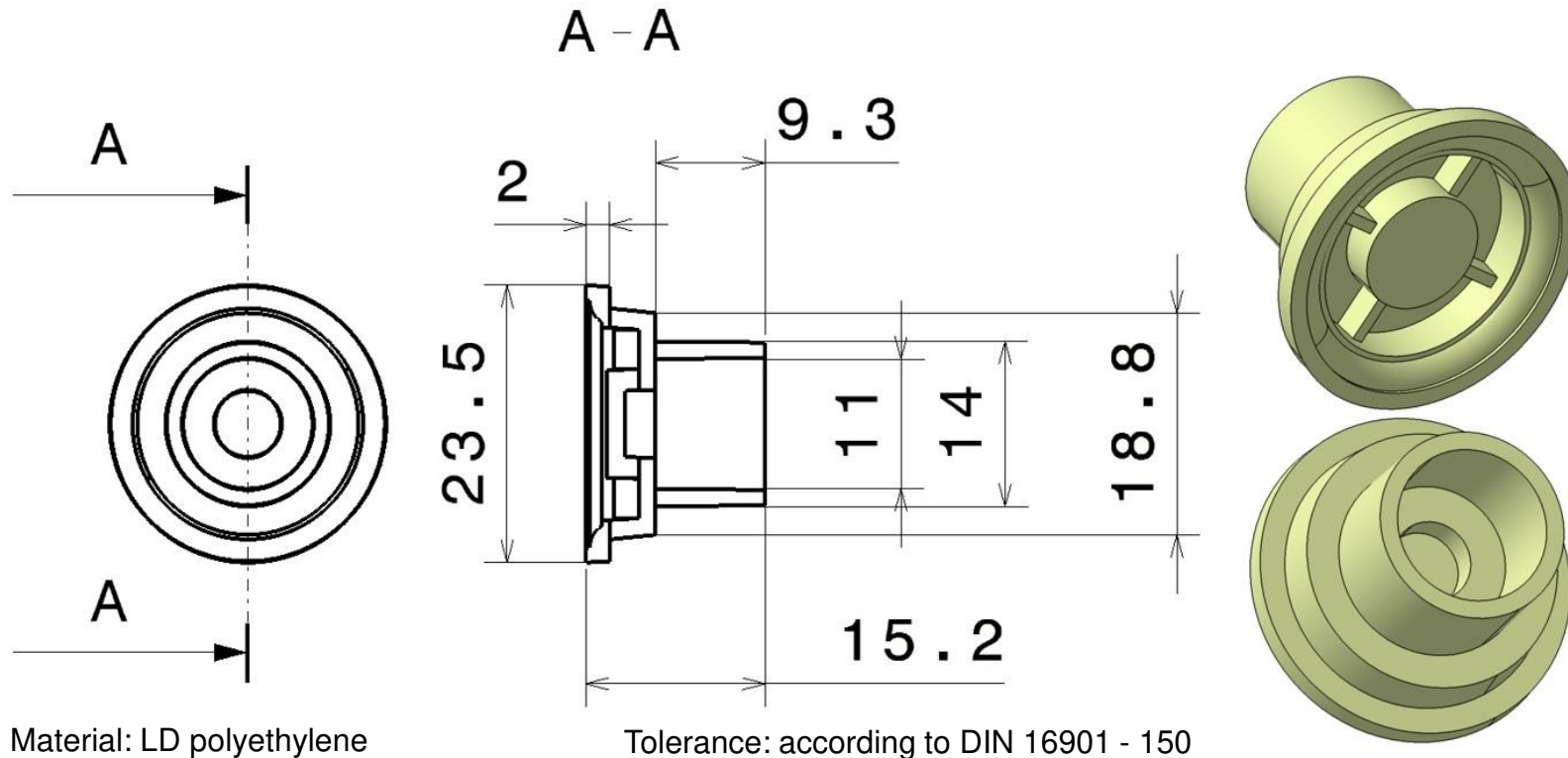
This part is used as protective cap or protective plug, with flap.
It is destined for inside use in holes/ drilling holes and protection of internal threads. It is available in many sizes.

Minimum/ maximum dimensions according to sketch:

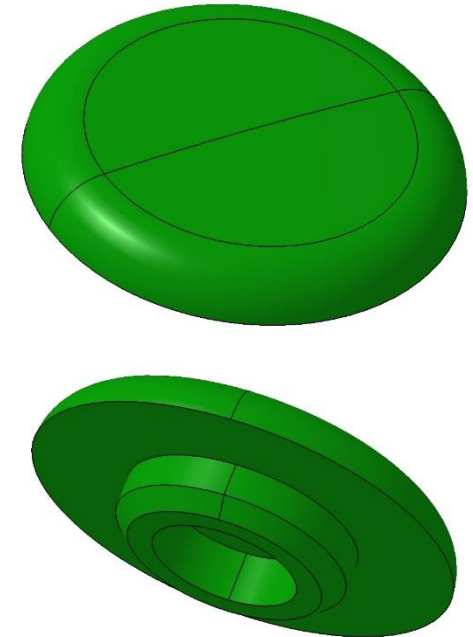
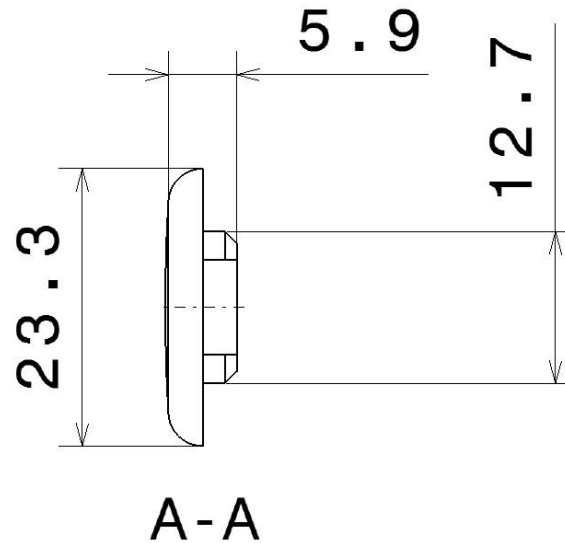
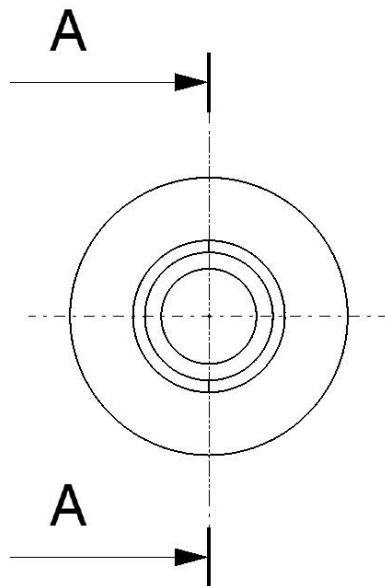
K	15,0 mm to 28,0 mm	Material:	LD polyethylene
H	9,6 mm to 11,5 mm	Tolerance:	according to DIN 16901 – 150
d	7,4 mm to 19,0 mm		
D	8,8 mm to 20,1 mm		

Please contact us.
For a test in your house we will gladly provide you with an assortment of this type of plug.
The trial package is **free** for you.

[← Back to page 1](#)



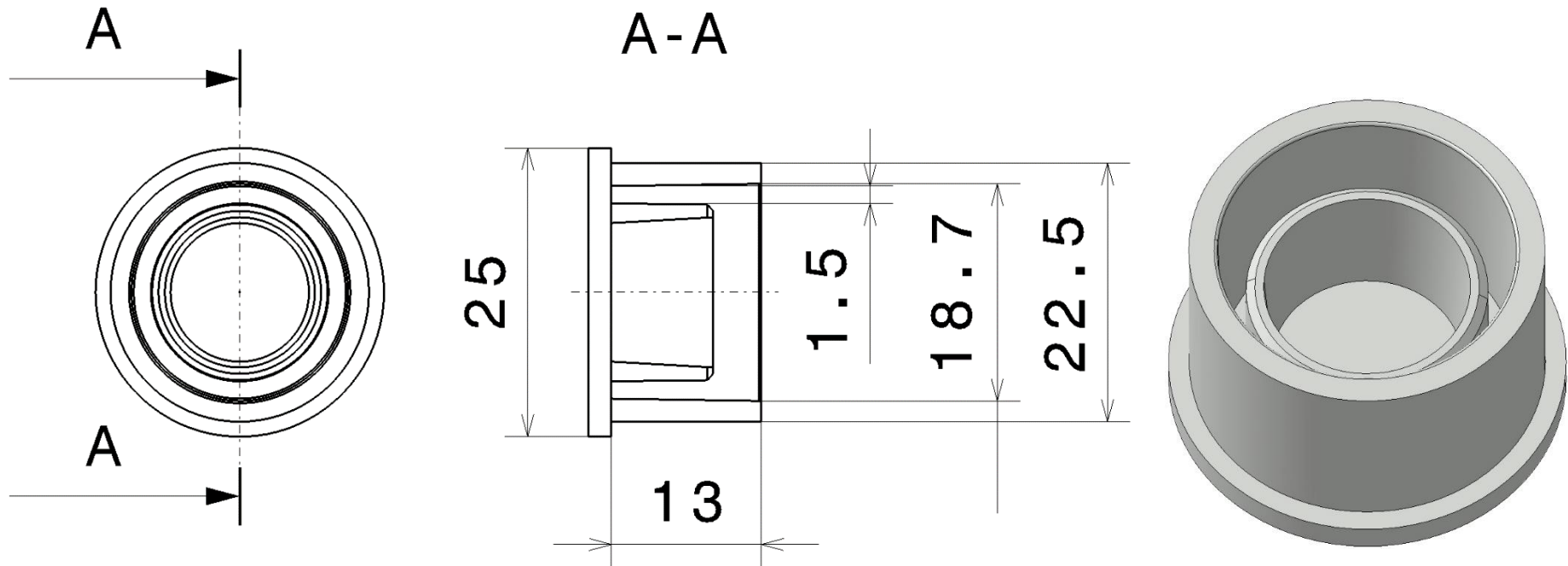
The plug shown here is currently is only available in the size shown on the sketch.
 If you are interested in a design in other sizes, the realization is no problem for our tool makers.
 Please contact us for the necessary arrangements.
 For a test in your house we will gladly provide you with an assortment of this type of plug.
 The trial package is **free** for you.



Material: LD polyethylene

Tolerance: according to DIN 16901 - 150

The plug shown here is currently is only available in the size shown on the sketch.
If you are interested in a design in other sizes, the realization is no problem for our tool makers.
Please contact us for the necessary arrangements.
For a test in your house we will gladly provide you with an assortment of this type of plug.
The trial package is **free** for you.

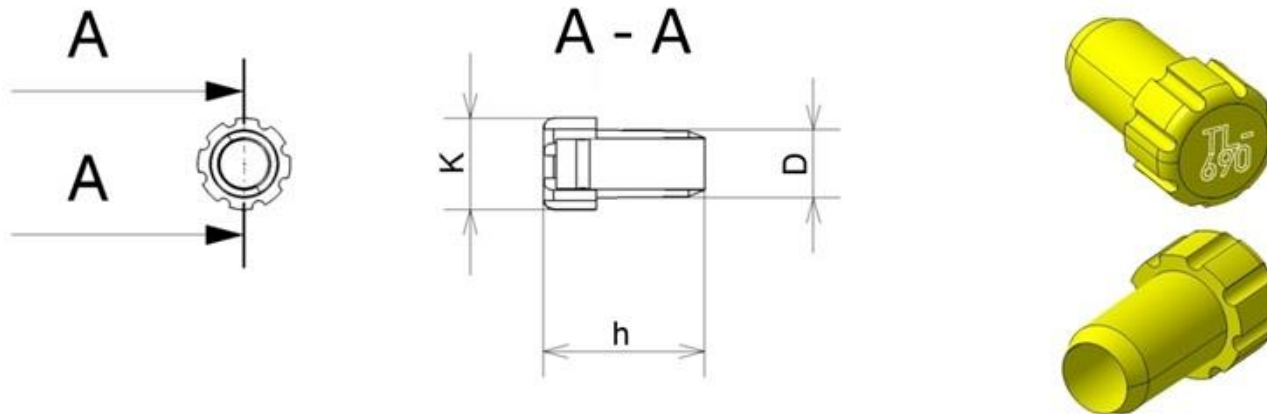


Material: LD polyethylene

Tolerance: according to DIN 16901 - 150

The plug shown here is currently only available in the size shown on the sketch.
If you are interested in a design in other sizes, the realization is no problem for our tool makers.
Please contact us for the necessary arrangements.
For a test in your house we will gladly provide you with an assortment of this type of plug.
The trial package is **free** for you.

[← Back to page 1](#)



The plug shown here is used for internal application in holes, drilling holes and internal threads. It is currently only available in the dimensions listed below.

If you are interested in a design in other sizes, the realization is no problem for our tool makers.

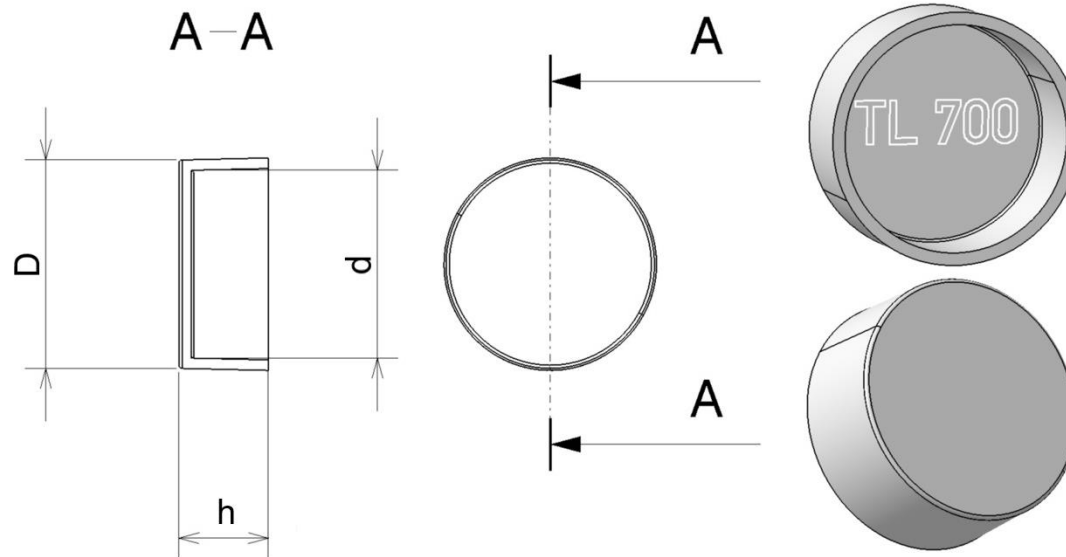
Please contact us for the necessary arrangements.

For a test in your house we will gladly provide you with an assortment of this type of plug.

The trial package is **free** for you.

K 7,0 mm
H 12,2 mm
D 5,1 mm

Material: LD polyethylene
Tolerance: according to DIN 16901 – 150



The cap shown here is used for the protection of the ends of pipes and pipe threads, it is only available in the size listed below.

If you are interested in a design in other sizes, the realization is no problem for our tool makers.

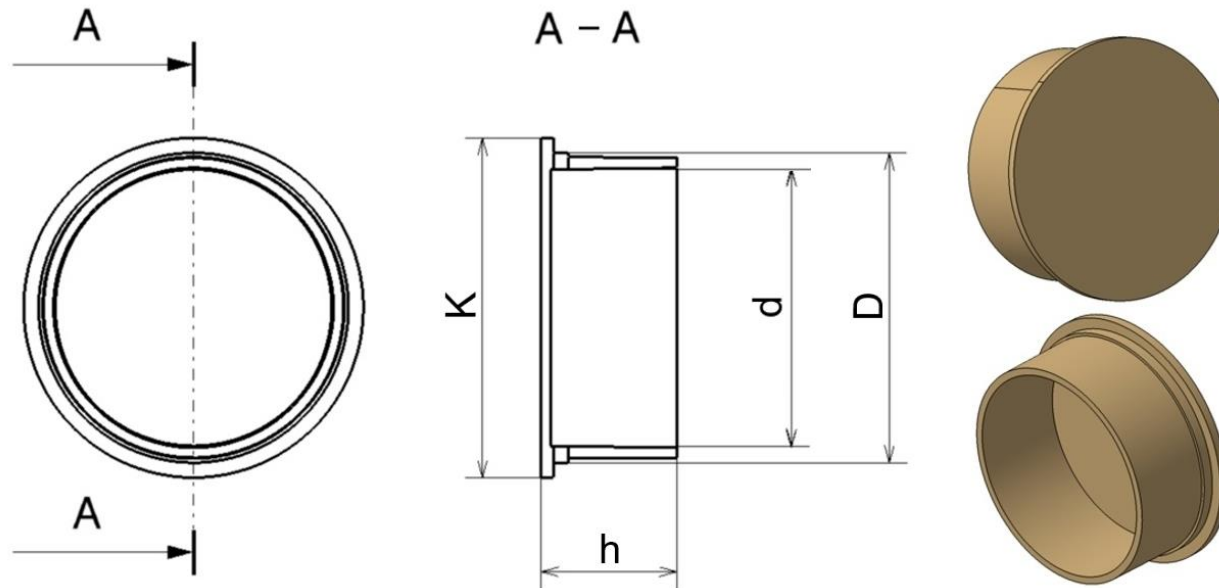
Please contact us for the necessary arrangements.

For a test in your house we will gladly provide you with an assortment of this type of cap.

The trial package is **free** for you.

H 7,2 mm
d 18,0 mm
D 20,0 mm

Material: LD polyethylene
Tolerance: according to DIN 16901 – 150



The plug shown here is used for the internal application in holes, drilling holes and internal threads, but also for outdoor application as for the protection of pipes. It is currently only available in the size listed below.

If you are interested in a design in other sizes, the realization is no problem for our tool makers.

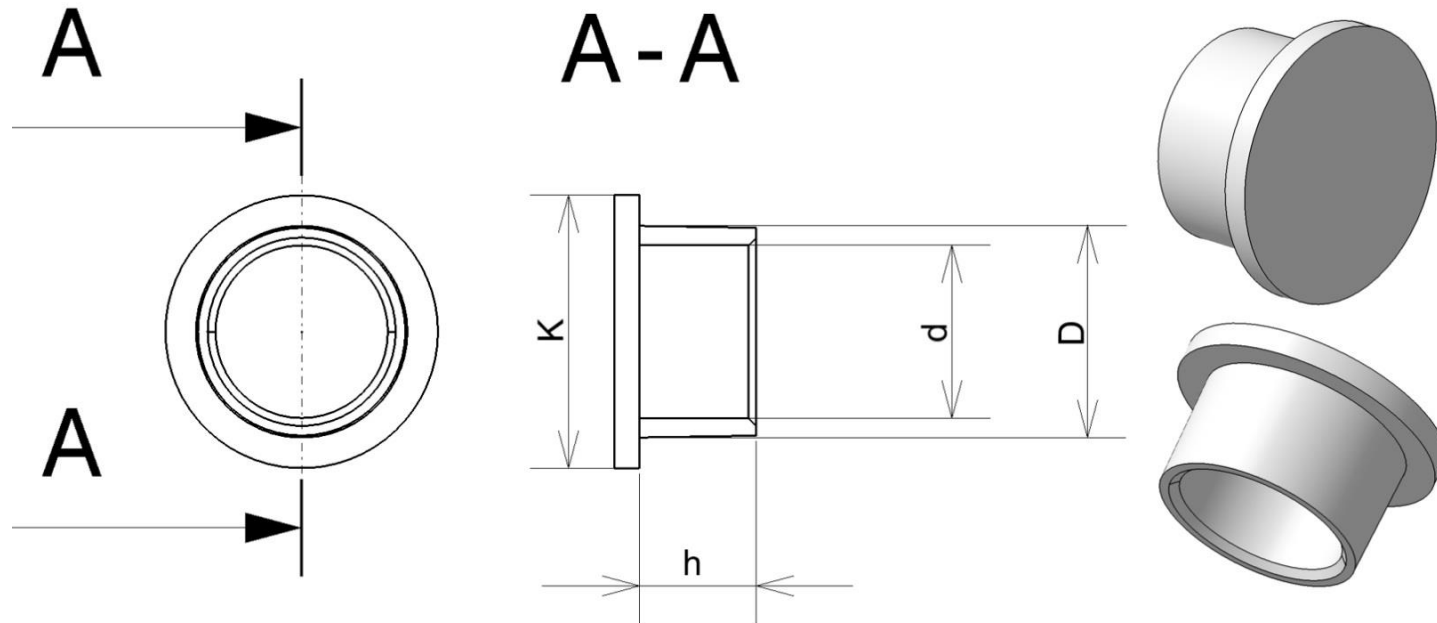
Please contact us for the necessary arrangements.

For a test in your house we will gladly provide you with an assortment of this type of plug.

The trial package is **free** for you.

K 37,6 mm
 h 15,0 mm
 d 30,7 mm
 D 34,3 mm

Material: LD polyethylene
 Tolerance: according to DIN 16901 – 150

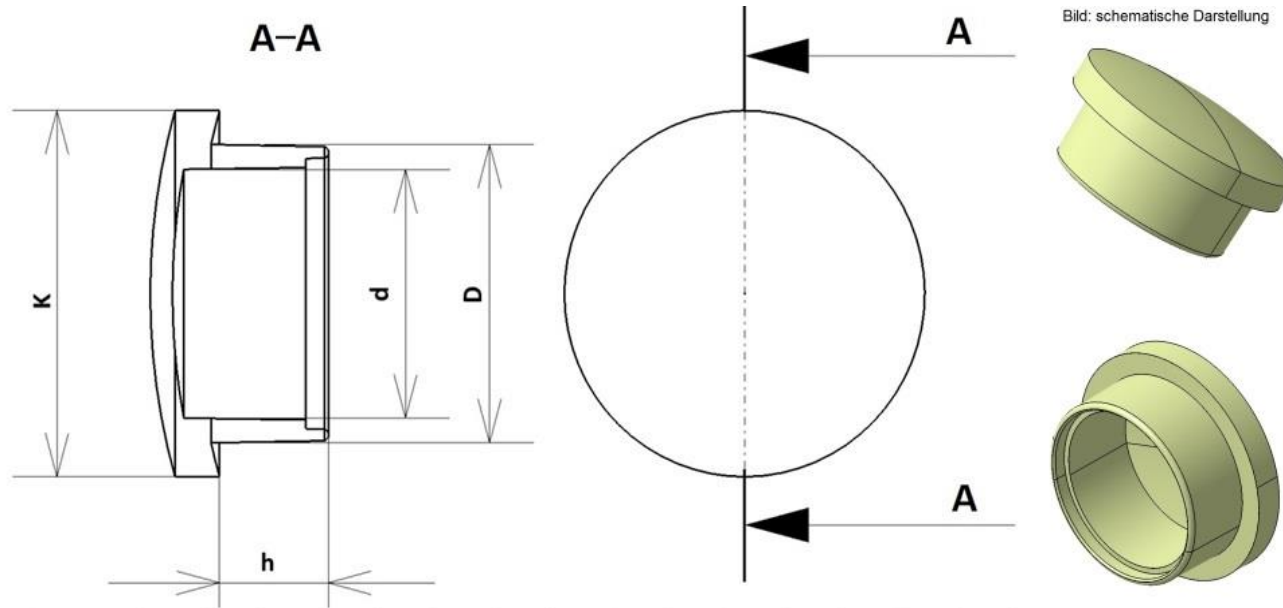


The cap shown here is used for the protection of the ends of pipes and pipe threads, it is only available in the size listed below. If you are interested in a design in other sizes, the realization is no problem for our tool makers. Please contact us for the necessary arrangements.

For a test in your house we will gladly provide you with an assortment of this type of cap. The trial package is **free** for you.

K	14,0 mm	Material:	LD polyethylene
h	6,0 mm	Tolerance:	according to DIN 16901 - 150
d	8,9 mm		
D	10,9 mm		

[← Back to page 1](#)



The cap shown here is used for the protection of the ends of pipes and pipe threads, it is only available in the size listed below. If you are interested in a design in other sizes, the realization is no problem for our tool makers. Please contact us for the necessary arrangements.

For a test in your house we will gladly provide you with an assortment of this type of cap.

The trial package is **free** for you.

K 16,2 mm
 h 4,9 mm
 d 11,0 mm
 D 13,2 mm

Material: LD polyethylene
 Tolerance: according to DIN 16901 – 150

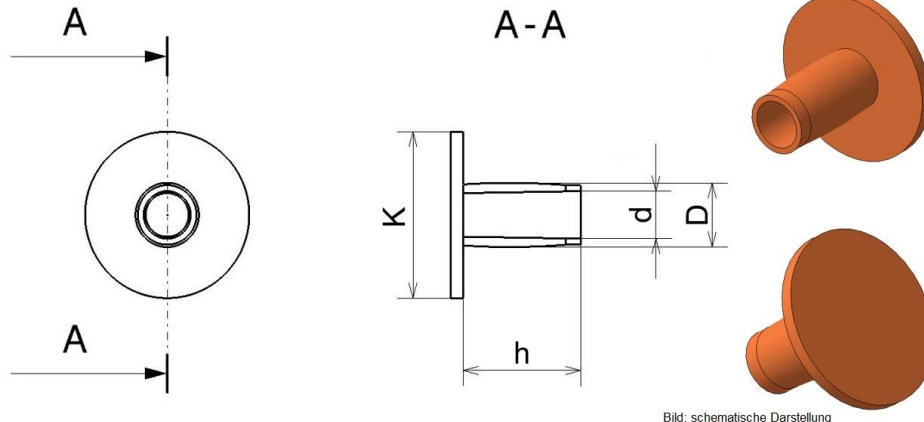


Bild: schematische Darstellung

Material: LD polyethylene
Tolerance: according to DIN 16901 – 150
See data table for details.

This part is used as protective cap for Outer thread protection.
M8A, M10A, M12A, M14A, M16A, M18A, M20A, M22A, M24A, M33A
Minimum/ maximum dimensions according to sketch:
K 20,0 mm to 55,0 mm
h 15,0 mm to 20,0 mm
d 7,5 mm to 32,5 mm

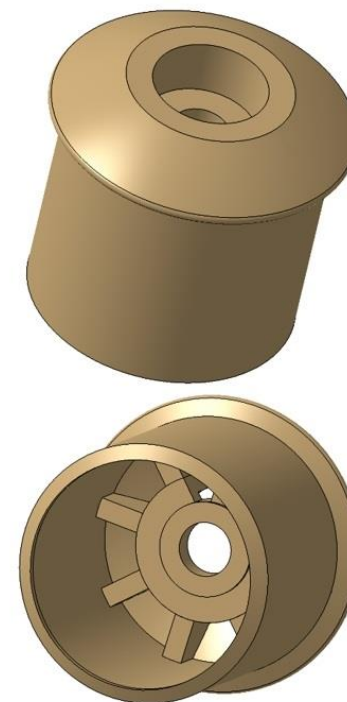
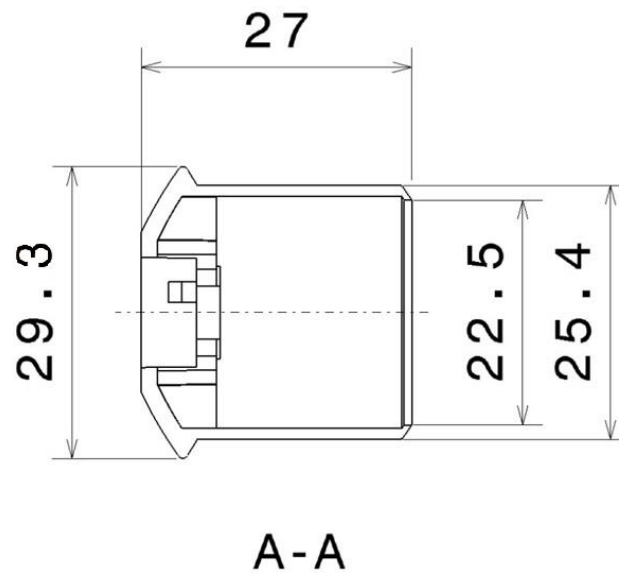
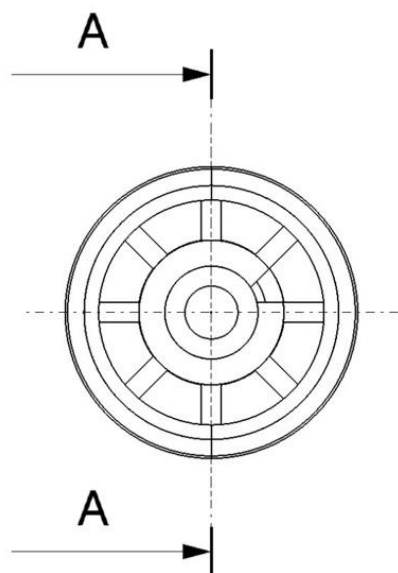
Use as a protective plug for external protection of e.g. pins or spigots.

S4A, S5A, S6A, S8A, S10A, S12A, S16A, S20A
Minimum/ maximum dimensions according to sketch:
K 23,0 mm bis 65,0 mm
h 15,0 mm bis 25,0 mm
d 10,6 mm bis 40,8 mm

This part is used as protective plug for Inner thread protection.
M8I, M10I, M12I, M14I, M16I, M18I, M20I, M22I, M24I, M27I, M33I
Minimum/ maximum dimensions according to sketch:
K 17,0 mm to 50,0 mm
h 15,0 mm to 20,0 mm
D 7,2 mm to 31,5 mm

Use as a protective plug for internal protection of e.g. bores and holes.

S4I, S5I, S6I, S8I, S10I, S12I, S16I, S20I
Minimum/ maximum dimensions according to sketch:
K 23,0 mm bis 65,0 mm
h 15,0 mm bis 25,0 mm
D 10,0 mm bis 39,4 mm

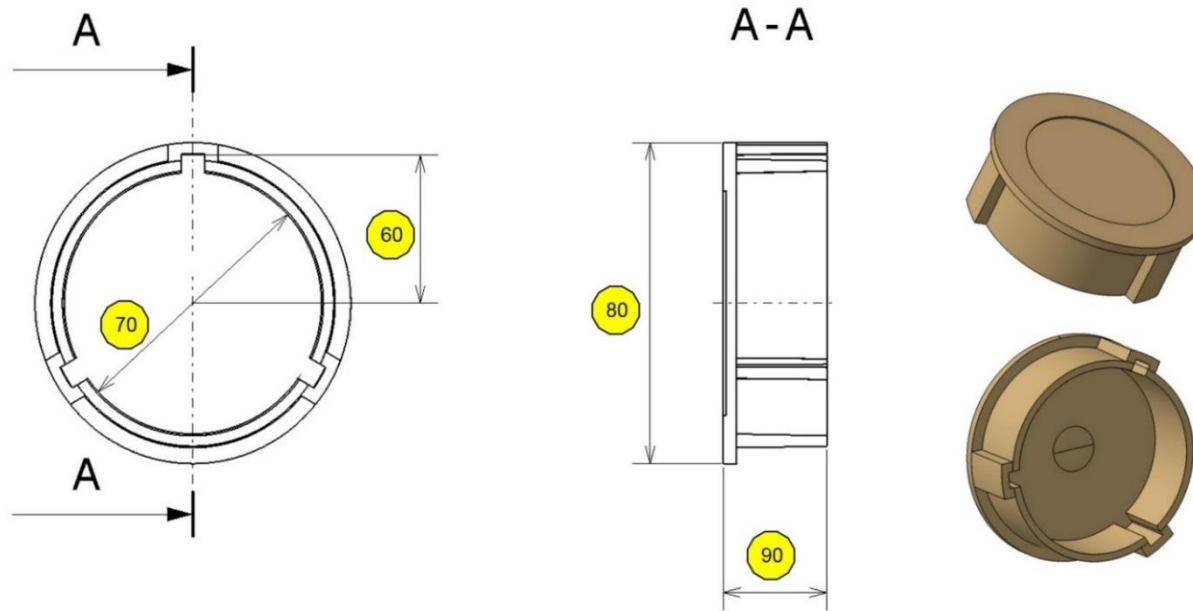


This part is used as protective plug.
Dimensions according to sketch:

Material: Ultraform N2320 (POM) + MB 65 BK 50 schwarz
Tolerance: according to DIN 16901 – 150

Please contact us.
For a test in your house we will gladly provide you with an assortment of this type of plug.
The trial package is **free** for you.

[← Back to page 1](#)

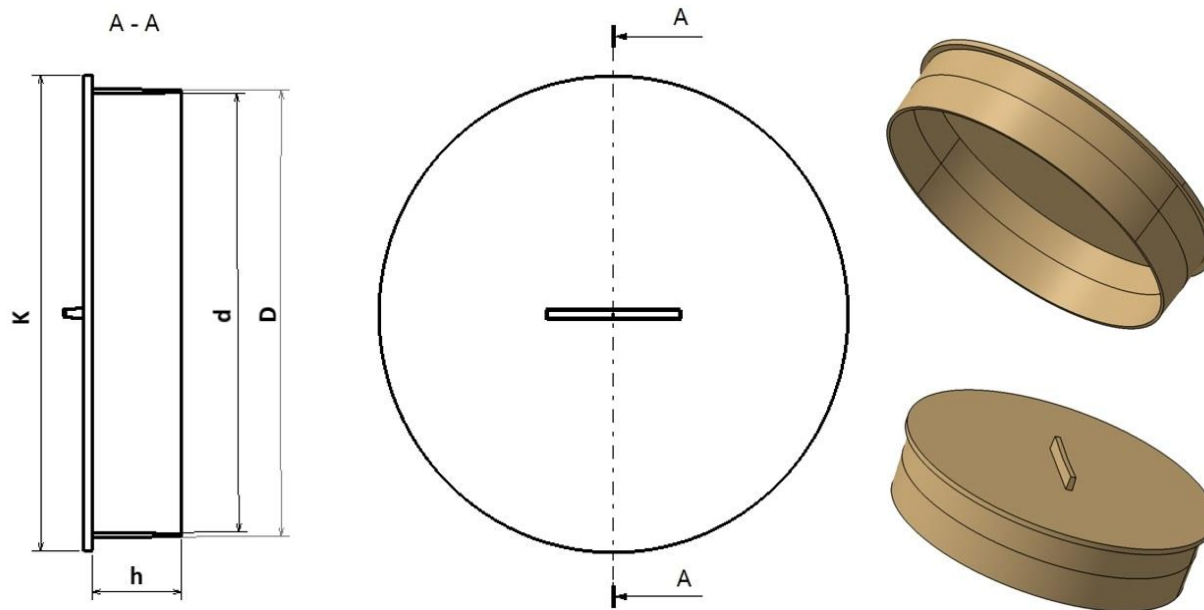


The cap shown here is used for the protection of the ends of pipes and contour profiles, it is only available in the size listed below. If you are interested in a design in other sizes, the realization is no problem for our tool makers. Please contact us for the necessary arrangements.

For a test in your house we will gladly provide you with an assortment of this type of cap. The trial package is **free** for you.

Pos. 60:	16,0 mm	Material:	LD polyethylene
Pos. 70:	28,2 mm	Tolerance:	according to DIN 16901 – 150 or DIN 7168 m after mutual agreement
Pos. 80:	35,0 mm		
Pos. 90:	11,5 mm		

[← Back to page 1](#)



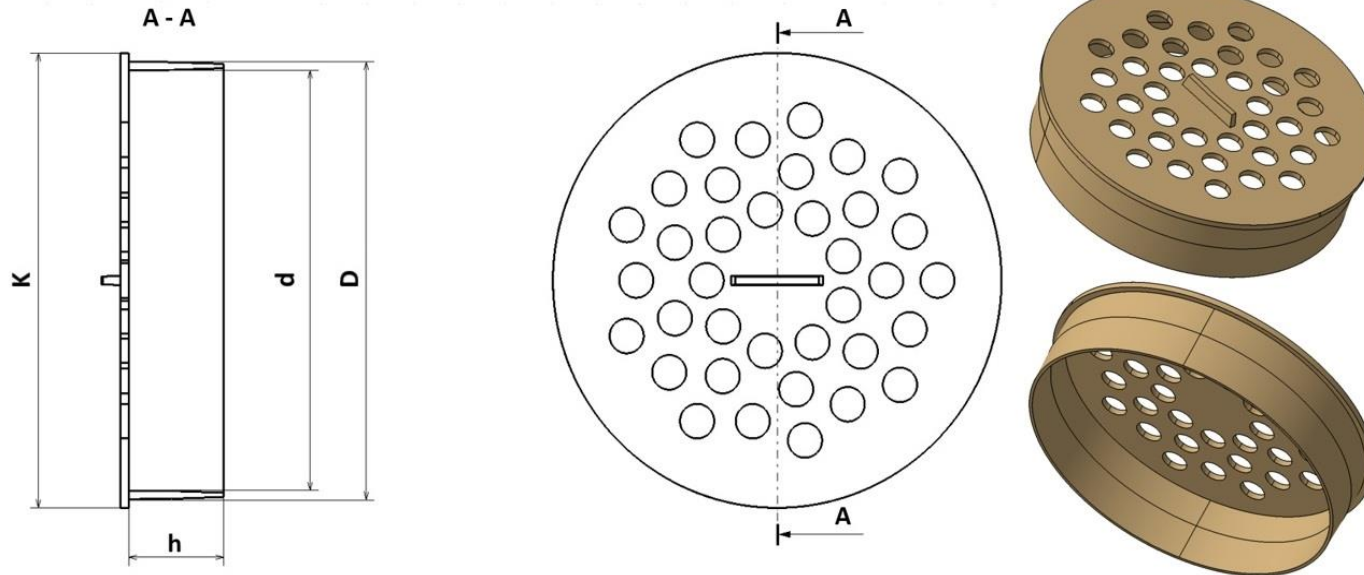
The cap shown here is used for the protection of the ends of pipes, it is only available in the size listed below. If you are interested in a design in other sizes, the realization is no problem for our tool makers. Please contact us for the necessary arrangements.

For a test in your house we will gladly provide you with an assortment of this type of cap.

The trial package is **free** for you.

K 105,0 mm
 h 20,0 mm
 d 97,0 mm
 D 101,0 mm

Material: LD polyethylene
 Tolerance: according to DIN 16901 – 150



The cap shown here is used for the protection of the ends of pipes and pipe threads, it is only available in the size listed below.

If you are interested in a design in other sizes, the realization is no problem for our tool makers.

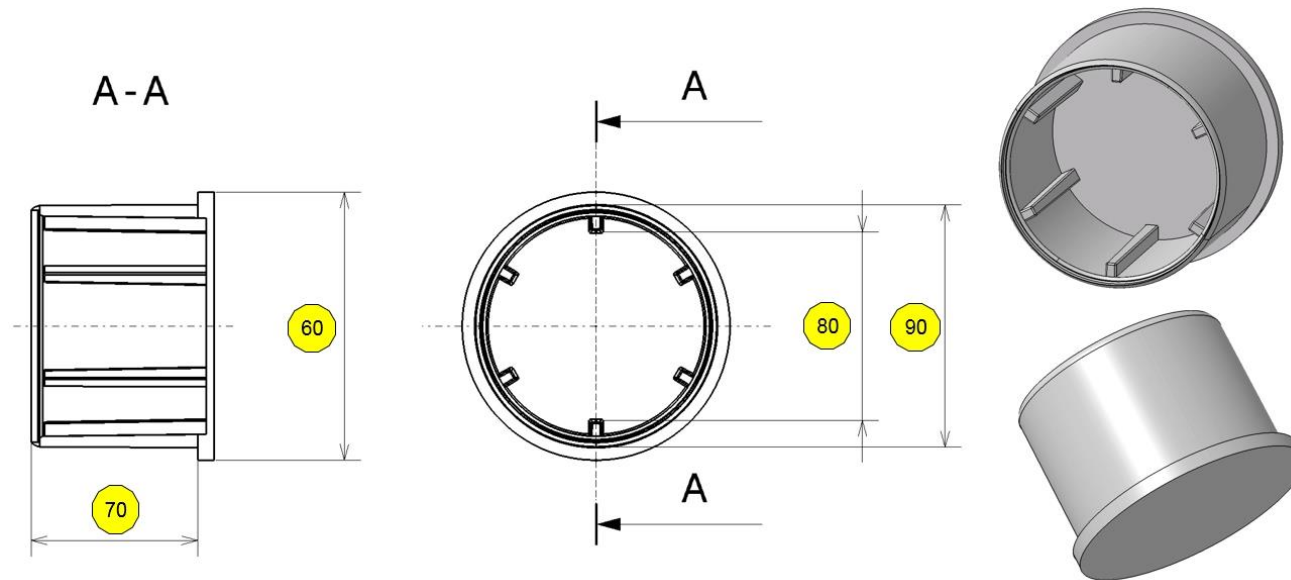
Please contact us for the necessary arrangements.

For a test in your house we will gladly provide you with an assortment of this type of cap.

The trial package is **free** for you.

K 105,0 mm
 h 20,0 mm
 D 97,0 mm
 D 101,0 mm

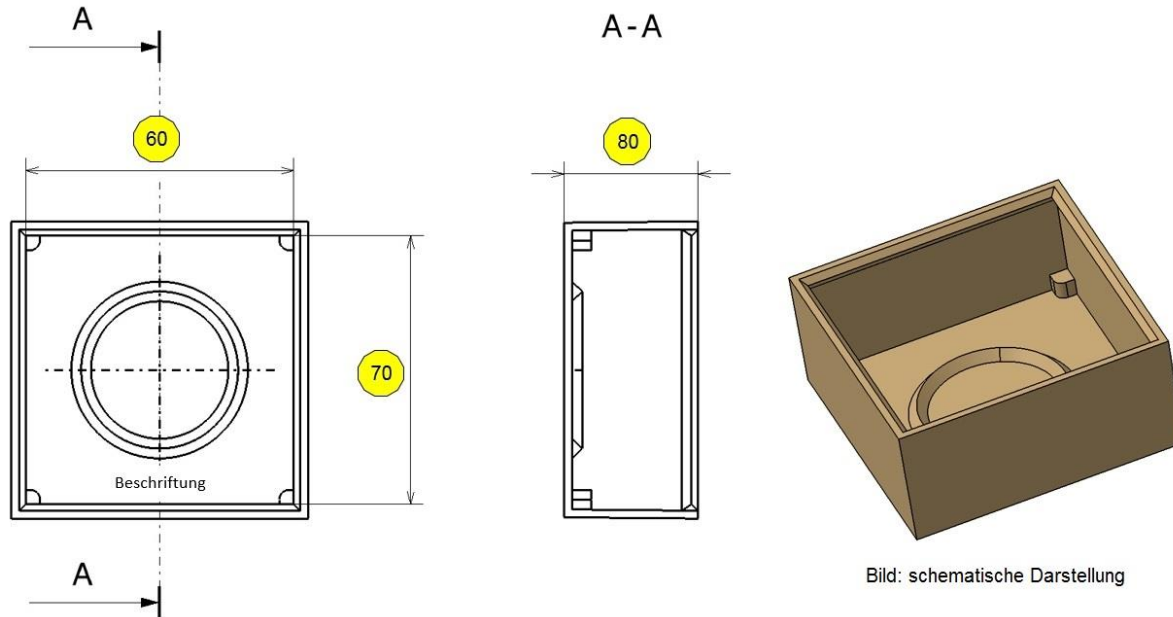
Material: LD polyethylene
 Tolerance: according to DIN 16901 – 150



The cap shown here is used for the protection of the ends of pipes and pipe threads, it is only available in the size listed below. If you are interested in a design in other sizes, the realization is no problem for our tool makers. Please contact us for the necessary arrangements.

For a test in your house we will gladly provide you with an assortment of this type of cap. The trial package is **free** for you.

Pos.60:	32,2 mm	Material:	LD polyethylene
Pos.70:	19,0 mm	Tolerance:	according to DIN 16901 – 150
Pos.80:	23,2 mm		
Pos.90:	28,9 mm		



The cap shown here is used for the protection of the ends of square profiles, it is only available in the size listed below. If you are interested in a design in other sizes, the realization is no problem for our tool makers.

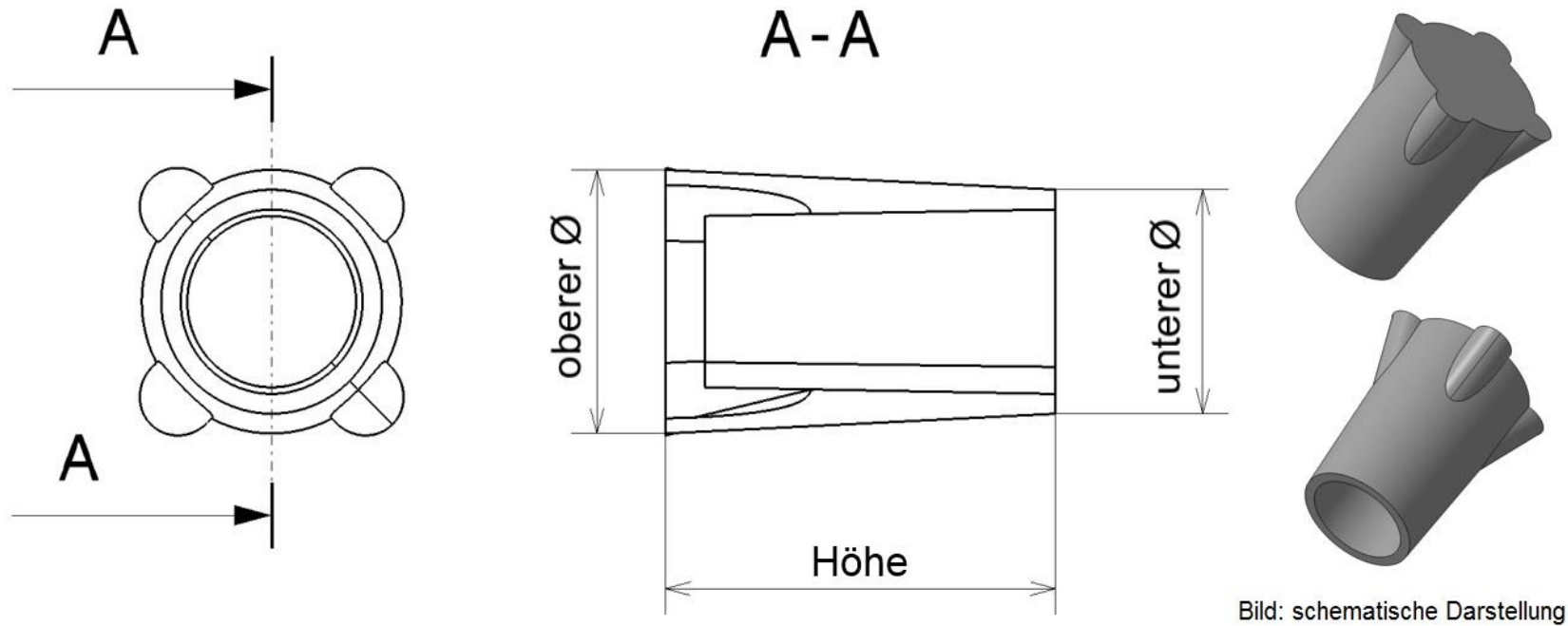
Please contact us for the necessary arrangements.

For a test in your house we will gladly provide you with an assortment of this type of cap.

The trial package is **free** for you.

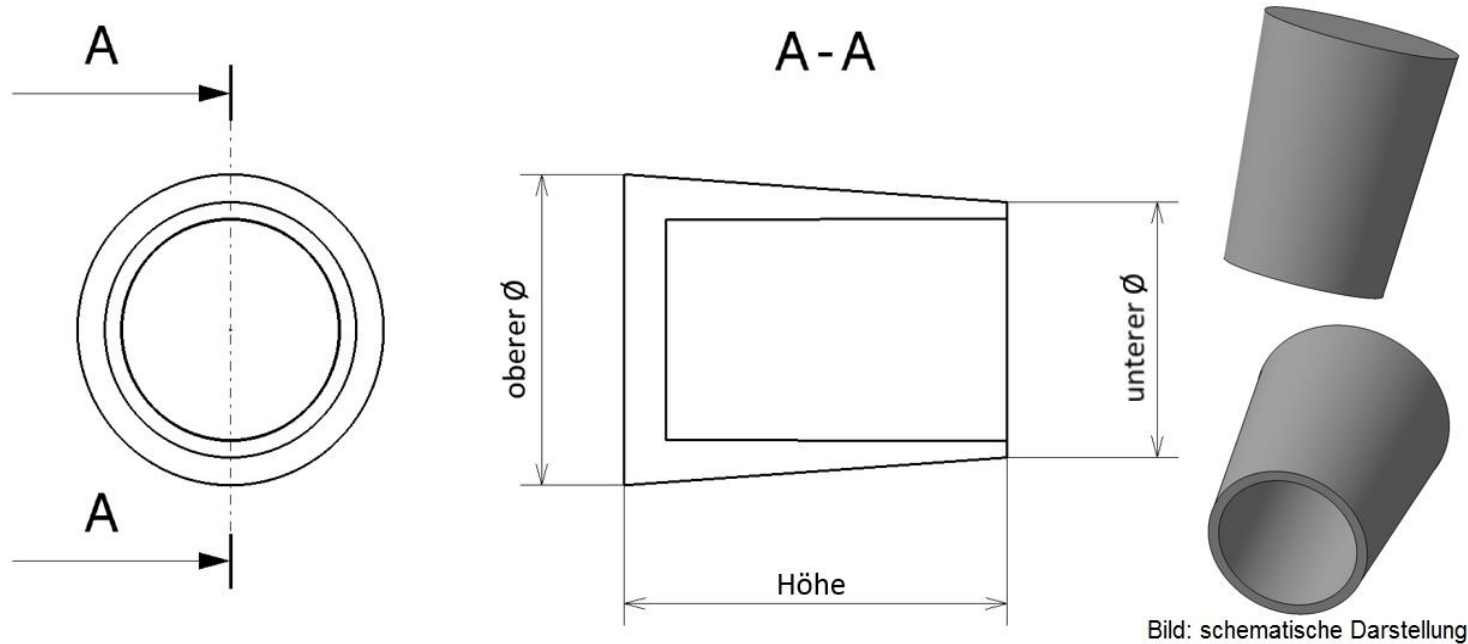
Pos.60: 41,0 mm
 Pos.70: 41,0 mm
 Pos.80: 20,5 mm

Material: LD polyethylene
 Tolerance: according to DIN 16901 – 150



The plug shown here is used for closing drilling holes in pavement.
 If you are interested in a design in other sizes, the realization is no problem for our tool makers.
 Please contact us for the necessary arrangements.
 For a test in your house we will gladly provide you with an assortment of this type of plug.
 The trial package is **free** for you.

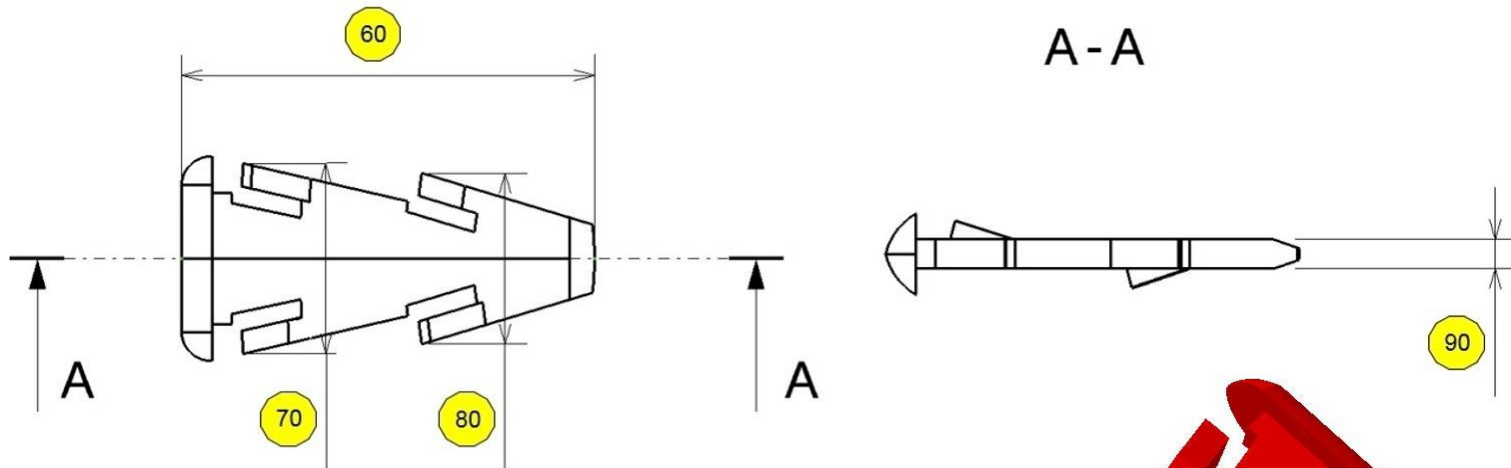
Upper Ø:	19,5 mm	Material:	polyethylene (flexible, black)
Lower Ø:	16,7 mm	Tolerance:	according to DIN 16901-150
Height:	30,0 mm		



The plug shown here is used for closing drilling holes in pavement.
 If you are interested in a design in other sizes, the realization is no problem for our tool makers.
 Please contact us for the necessary arrangements.
 For a test in your house we will gladly provide you with an assortment of this type of plug.
 The trial package is **free** for you.

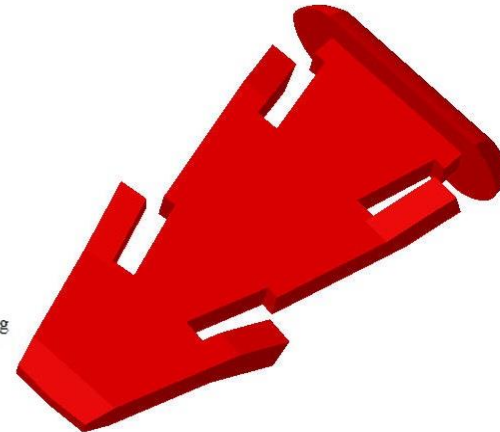
Upper Ø: type 2 – 23,7 mm, type 3 – 30,0 mm
 Lower Ø: type 2 – 20,8 mm, type 3 – 25,2 mm
 Height: type 2 – 30,0 mm, type 3 – 35,0 mm

Material: polyethylene, flexible, black
 Tolerance: according to DIN 16901 - 150



- Pos. 60: 16,0 mm Material: HD polyethylene
- Pos. 70: 28,2 mm Tolerance according to DIN 16901 – 150
- Pos. 80: 35,0 mm
- Pos. 90: 11,5 mm

Grafik: schematische Darstellung



Shown is an example for the safety splint. It is only available in the size listed above.
 If you are interested in a design in other sizes, the realization is no problem for our tool makers.
 Please contact us for the necessary arrangements.
 For a test in your house we will gladly provide you with an assortment of this type of splint.
 The trial package is **free** for you.

Tool and Mould Making with 75 years of experience

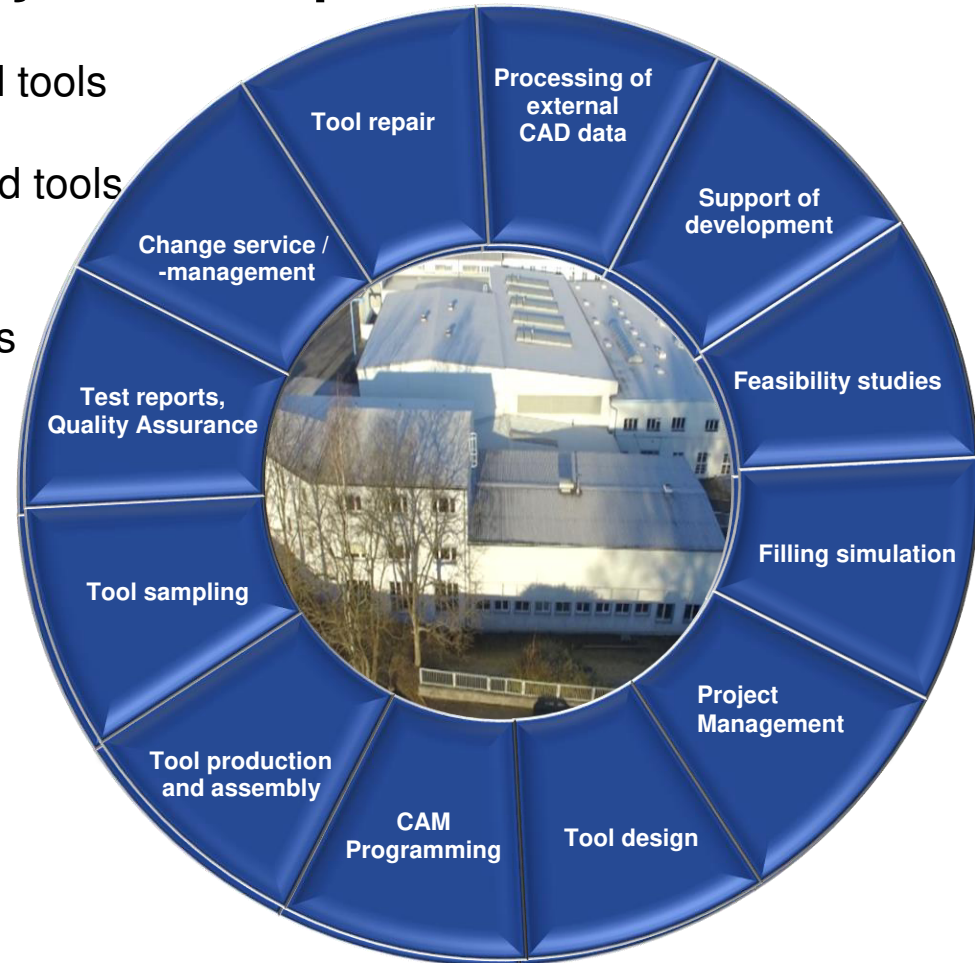
- ✓ approx. 100 employees (incl. trainees)
- ✓ Complete manufacturing of injection mould tools
- ✓ Tools up to 18 tons
- ✓ Technology for gas-assisted injection mould tools
- ✓ Tools for in-mould decoration (IMD)
- ✓ Moulds for chrome-plated parts
- ✓ Insert tools, two and three-component tools

➤ Certified according to:

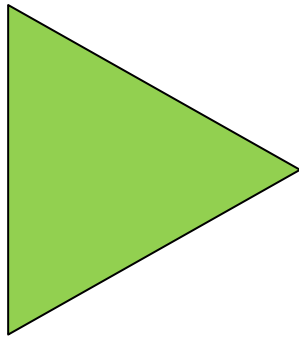
ISO 9001:2015

ISO 50001:2018

ISO 14001:2015



Boryszew Formenbau Deutschland GmbH
Fabrikstraße 16
02692 Doberschau



Phone.: +49-3591-315-0
Fax: +49-3591-315-255

Email: kunststoff@wedo-formenbau.de
Internet: www.wedo-formenbau.de

Schutzstopfen und Schutzkappen / Daten- und Maßtabelle

Protective plugs and protective caps / Data and dimension table

Die Daten- und Maßtabelle nimmt Bezug auf die im Katalog dargestellten Schutzstopfen und Schutzkappen.

The data and dimension table refers to the protective plugs and protective caps shown in the catalogue.

Anfragen bitte an Boryszew Formenbau Deutschland GmbH, Fabrikstraße 16, 02692 Doberschau

Please send your request to Boryszew Formenbau Deutschland GmbH, Fabrikstraße 16, 02692 Doberschau, Germany

e-mail: kunststoff@wedo-formenbau.de, Tel.: 0049 3591 315 0



Stand 05/ 2022. Die Liste ist nach Größe des äußeren Funktionsaußendurchmessers D sortiert. Toleranzen entsprechend DIN 16901 - 150. Die Maße H bis K sind keine Funktionsmaße. Zukünftige Anpassungen behalten wir uns vor, im Zusammenhang mit Verbesserungen der Werkzeugfunktion.

The list is sorted according to the size of the outer functional diameter D. Tolerances according to DIN 16901 - 150. The dimensions H to K are not functional dimensions. We reserve the right to make future adjustments in connection with improvements to the tool function.

Artikel-Nr. article-nr.	Name name	Bemerkung comment	D mm	d mm	d1 mm	H mm	h mm	K mm	a mm	b mm	Verpackungs-Einheit - Packaging unit		
											Beutel small bag	Sack big bag	Sack in kg bag in kg
20110	TL-4-035		3,5	2,5			6,3	5,5			1.000	100.000	6,3
20301	TL-552		4,1	2,5			8,0	6,2			1.000	25.000	7,5
20111	TL-4-044		4,4	3,0			6,3	6,5			1.000	100.000	6,7
20050	TL-2-200		5,0	3,0			8,0	17,5			1.000	30.000	19,0
20428	TL-690	gelb yellow	5,1	3,9		12,2		7,0			1.000	50.000	10,0
20112	TL-4-052		5,2	3,8			7,3	7,2			1.000	100.000	11,5
20205	TL-8-060		6,0				5,0	12,5			1.000	60.000	17,0
20113	TL-4-062		6,2	4,8			7,5	8,2			1.000	100.000	15,0
20871	TL-4-062		6,2	4,8			7,5	8,2			1.000	100.000	15,0
20051	TL-2-201		6,3	4,6			4,0	12,5			1.000	50.000	15,0
20206	TL-8-065		6,5				5,0	13,0			1.000	50.000	15,0
20052	TL-2-202		6,7	4,7			8,0	19,0			1.000	25.000	19,2
20305	TL-558		6,7	4,7			8,0	13,0			1.000	20.000	8,0
20207	TL-8-070		7,0				6,0	14,0			1.000	50.000	13,5
20109	TL-4-071		7,1	5,5			9,5	9,3					
20053	TL-2-203		7,2	5,2			9,0	13,0			1.000	40.000	16,0
20750	M8I	für Innengewinde, Funktion D for internal thread, function D	7,2	5,2			15,0	17,0			1.000	20.000	16,0
20114	TL-4-073		7,3	5,7			9,5	9,3			1.000	60.000	14,5
20915	TL-4-073		7,3	5,7			9,5	9,3			1.000	60.000	14,5
20208	TL-8-075		7,5				6,0	15,5			1.000	40.000	12,5
20209	TL-8-080		8,0				6,0	14,5			1.000	35.000	12,0
20299	TL-550		8,2	6,0			9,0	9,0			1.000	50.000	15,0
20210	TL-8-085		8,5				6,5	15,5			1.000	30.000	12,0
20115	TL-4-088		8,8	7,4			9,5	11,0			1.000	40.000	10,5
20394	TL-656		8,8	7,4		9,6	8,0	15,0			1.000	20.000	7,5
20878	TL-4-088		8,8	7,4			9,5	11,0			1.000	40.000	10,5
20720	St1		8,9	6,5			13,0	15,0			1.000	15.000	8,0
20211	TL-8-090		9,0				6,0	16,5			1.000	30.000	11,8
21079	TL-8-090	leuchtrot luminous red	9,0				6,0	16,5			1.000	30.000	11,8
20751	M10I	für Innengewinde, Funktion D for internal thread, function D	9,2	7,2			15,0	19,0			1.000	15.000	15,0
20116	TL-4-093		9,3	7,8			9,5	11,3			1.000	40.000	12,0
20250	TL-1		9,3	7,5			9,5	11,0			1.000	30.000	9,0

Schutzstopfen und Schutzkappen / Daten- und Maßtabelle

Protective plugs and protective caps / Data and dimension table

Die Daten- und Maßtabelle nimmt Bezug auf die im Katalog dargestellten Schutzstopfen und Schutzkappen.

The data and dimension table refers to the protective plugs and protective caps shown in the catalogue.

Anfragen bitte an Boryszew Formenbau Deutschland GmbH, Fabrikstraße 16, 02692 Doberschau

Please send your request to Boryszew Formenbau Deutschland GmbH, Fabrikstraße 16, 02692 Doberschau, Germany

e-mail: kunststoff@wedo-formenbau.de, Tel.: 0049 3591 315 0



Stand 05/ 2022. Die Liste ist nach Größe des äußeren Funktionsaußendurchmessers D sortiert. Toleranzen entsprechend DIN 16901 - 150. Die Maße H bis K sind keine Funktionsmaße. Zukünftige Anpassungen behalten wir uns vor, im Zusammenhang mit Verbesserungen der Werkzeugfunktion.

The list is sorted according to the size of the outer functional diameter D. Tolerances according to DIN 16901 - 150. The dimensions H to K are not functional dimensions. We reserve the right to make future adjustments in connection with improvements to the tool function.

Artikel-Nr. article-nr.	Name name	Bemerkung comment	D mm	d mm	d1 mm	H mm	h mm	K mm	a mm	b mm	Verpackungs-Einheit - Packaging unit		
											Beutel small bag	Sack big bag	Sack in kg bag in kg
20400	TL-662		9,3	7,8		9,6	7,7	15,0			1.000	30.000	9,0
20790	M10x1		9,3				6,5	19,6			1.000	20.000	12,2
20874	TL-4-093		9,3	7,8			9,5	11,3			1.000	40.000	12,0
20880	TL-4-093		9,3	7,8			9,5	11,3			1.000	40.000	12,0
20212	TL-8-095		9,5				6,0	16,5			1.000	30.000	11,8
20775	M8A	für Außengewinde, Funktion d for external thread, function d	9,5	7,5			15,0	20,0			1.000	15.000	14,0
20346	TL-607		9,6	8,0			6,0	13,3			1.000	25.000	7,5
20054	TL-2-204		10,0	7,5			12,0	13,0			1.000	25.000	12,5
20055	TL-2-205		10,0	7,3			20,0	13,0			1.000	20.000	15,5
20213	TL-8-100		10,0				6,5	17,0			1.000	30.000	13,2
20253	TL-4		10,0	7,8			9,5	13,3			1.000	30.000	19,5
20740	S4I		10,0	8,0			15,0	23,0			1.000	12.000	15,0
20117	TL-4-105		10,5	9,0			9,8	12,7			1.000	30.000	10,4
20214	TL-8-105		10,5				7,0	17,0			1.000	25.000	12,5
20980	TL-4-105	rot red	10,5	9,0			9,8	12,7			1.000	30.000	10,4
20118	TL-4-109		10,9	9,3			9,8	13,0			1.000	30.000	10,4
20445	TL-707		10,9	8,9			6,0	14,0					
20924	TL-4-109	gelb yellow	10,9	9,3			9,8	13,0			1.000	30.000	10,4
21063	TL-4-109	schwarz black	10,9	9,3			9,8	13,0			1.000	30.000	10,4
21082	TL-4-109	grün green	10,9	9,3			9,8	13,0			1.000	30.000	10,4
20056	TL-2-206		11,0	8,0			20,0	14,0			1.000	15.000	14,6
20215	TL-8-110		11,0				7,0	18,0			1.000	20.000	10,0
20252	TL-3		11,0	8,6			9,5	13,0			1.000	20.000	10,0
20791	M12x1,5		11,0				6,8	21,6			1.000	18.000	13,7
20752	M12I	für Innengewinde, Funktion D for internal thread, function D	11,2	9,2			15,0	21,0			1.000	10.000	12,0
20057	TL-2-207		11,4	9,0			13,0	14,5			1.000	20.000	13,5
20216	TL-8-115		11,5				7,5	18,0			1.000	20.000	10,0
20393	TL-655		11,5	9,8			8,0	21,5			1.000	20.000	12,7
20776	M10A	für Außengewinde, Funktion d for external thread, function d	11,5	9,5			15,0	22,0			1.000	12.000	13,8
20741	S5I	orange, für Innengewinde, Funktion D for internal thread, function D	11,6	9,6			15,3	24,6			1.000	10.000	7,5
20787	S5I	blau/ blue, für Innengewinde, Funktion D for internal thread, function D	11,6	9,6			15,3	24,6			1.000	10.000	7,5
20119	TL-4-119		11,9	9,7			9,3	14,4			1.000	25.000	13,0

Schutzstopfen und Schutzkappen / Daten- und Maßtabelle

Protective plugs and protective caps / Data and dimension table

Die Daten- und Maßtabelle nimmt Bezug auf die im Katalog dargestellten Schutzstopfen und Schutzkappen.

The data and dimension table refers to the protective plugs and protective caps shown in the catalogue.

Anfragen bitte an Boryszew Formenbau Deutschland GmbH, Fabrikstraße 16, 02692 Doberschau

Please send your request to Boryszew Formenbau Deutschland GmbH, Fabrikstraße 16, 02692 Doberschau, Germany

e-mail: kunststoff@wedo-formenbau.de, Tel.: 0049 3591 315 0



Stand 05/ 2022. Die Liste ist nach Größe des äußeren Funktionsaußendurchmessers D sortiert. Toleranzen entsprechend DIN 16901 - 150. Die Maße H bis K sind keine Funktionsmaße. Zukünftige Anpassungen behalten wir uns vor, im Zusammenhang mit Verbesserungen der Werkzeugfunktion.

The list is sorted according to the size of the outer functional diameter D. Tolerances according to DIN 16901 - 150. The dimensions H to K are not functional dimensions. We reserve the right to make future adjustments in connection with improvements to the tool function.

Artikel-Nr. article-nr.	Name name	Bemerkung comment	D mm	d mm	d1 mm	H mm	h mm	K mm	a mm	b mm	Verpackungs-Einheit - Packaging unit		
											Beutel small bag	Sack big bag	Sack in kg bag in kg
20340	TL-601		11,9	9,0			5,0	15,2			1.000	35.000	17,5
20395	TL-657		11,9	9,7		9,6	7,5	19,0			1.000	20.000	11,5
21078	TL-4-119	leuchtrot luminous red	11,9	9,7			9,3	14,4			1.000	25.000	13,0
20217	TL-8-120		12,0				7,5	19,0			1.000	20.000	10,0
20721	St2		12,0	9,9			13,0	20,0			1.000	15.000	11,0
20058	TL-2-208		12,2	9,0			20,0	15,0			1.000	12.000	15,9
20120	TL-4-124		12,4	10,9			9,8	14,5			1.000	25.000	13,0
21035	TL-4-124		12,4	10,9			9,5	14,5			1.000	25.000	13,0
21070	TL-4-124	leuchtrot luminous red	12,4	10,9			9,8	14,5			1.000	25.000	13,0
20218	TL-8-125		12,5				8,0	20,0			1.000	20.000	10,5
20753	M14I	für Innengewinde, Funktion D for internal thread, function D	12,5	10,5			15,0	23,0			1.000	6.000	8,0
20765	S4A		12,6	10,6			15,0	23,0			1.000	8.000	10,5
20421	TL-684	grün green	12,7			5,9		23,3					
20121	TL-4-128		12,8	11,3			9,5	15,0			1.000	20.000	9,0
20402	TL-664		12,8	11,3		11,2	9,2	20,5			1.000	20.000	14,0
20886	TL-4-128		12,8	11,3			9,5	15,0			1.000	20.000	9,0
20219	TL-8-130		13,0				8,0	20,0			1.000	20.000	10,5
20254	TL-5		13,0	9,7			9,5	15,0			1.000	16.000	13,0
20742	S6I		13,0	11,0			15,0	26,0			1.000	8.000	12,0
20792	M14x1,5		13,0				6,7	23,6			1.000	14.000	10,7
20059	TL-2-209		13,2	10,7			14,0	16,0			1.000	12.000	12,5
20122	TL-4-133	natur nature	13,3	11,8			9,5	15,5			1.000	20.000	9,7
20868	TL-4-133	schwarz black	13,3	11,8			9,5	15,5			1.000	20.000	9,7
20889	TL-4-133	blau blue	13,3	11,8			9,5	15,5			1.000	20.000	9,7
20890	TL-4-133	blau, mit Loch blue, with hole	13,3	11,8			9,5	15,5			1.000	20.000	9,7
21043	TL-4-133	gelb yellow	13,3	11,8			9,5	15,5			1.000	20.000	9,7
35247	TL-4-133	schwarz, mit Loch black, with hole	13,3	11,8			9,5	15,5			1.000	20.000	9,7
35249	TL-4-133	natur, großer Kopf nature, big head	13,3	11,8			9,5	17,5			1.000	20.000	9,7
20220	TL-8-135		13,5				8,0	20,5			1.000	16.000	10,7
20777	M12A	für Außengewinde, Funktion d for external thread, function d	13,5	11,5			15,0	24,0			1.000	8.000	11,0
20777	M12A	für Außengewinde, Funktion d for external thread, function d	13,5	11,5			15,0	24,0					
20257	TL-8		13,6	11,3			9,5	17,3			1.000	15.000	10,5

Schutzstopfen und Schutzkappen / Daten- und Maßtabelle

Protective plugs and protective caps / Data and dimension table

Die Daten- und Maßtabelle nimmt Bezug auf die im Katalog dargestellten Schutzstopfen und Schutzkappen.

The data and dimension table refers to the protective plugs and protective caps shown in the catalogue.

Anfragen bitte an Boryszew Formenbau Deutschland GmbH, Fabrikstraße 16, 02692 Doberschau

Please send your request to Boryszew Formenbau Deutschland GmbH, Fabrikstraße 16, 02692 Doberschau, Germany

e-mail: kunststoff@wedo-formenbau.de, Tel.: 0049 3591 315 0



Stand 05/ 2022. Die Liste ist nach Größe des äußeren Funktionsaußendurchmessers D sortiert. Toleranzen entsprechend DIN 16901 - 150. Die Maße H bis K sind keine Funktionsmaße. Zukünftige Anpassungen behalten wir uns vor, im Zusammenhang mit Verbesserungen der Werkzeugfunktion.

The list is sorted according to the size of the outer functional diameter D. Tolerances according to DIN 16901 - 150. The dimensions H to K are not functional dimensions. We reserve the right to make future adjustments in connection with improvements to the tool function.

Artikel-Nr. article-nr.	Name name	Bemerkung comment	D mm	d mm	d1 mm	H mm	h mm	K mm	a mm	b mm	Verpackungs-Einheit - Packaging unit		
											Beutel small bag	Sack big bag	Sack in kg bag in kg
20221	TL-8-140		14,0				8,0	21,0			1.000	16.000	11,3
20660	NW-5	gelb yellow	14,1	12,1	5,7		5,0						
20766	S5A		14,2	12,2			15,0	24,5			1.000	8.000	11,0
20060	TL-2-210		14,3	12,0			12,0	17,0			1.000	15.000	12,5
20123	TL-4-143		14,4	12,7			9,5	16,5			1.000	18.000	10,0
21036	TL-4-143	gelb yellow	14,4	12,7			9,5	16,5			1.000	18.000	10,0
20222	TL-8-145		14,5				8,0	21,5			1.000	15.000	10,7
20754	M16l	für Innengewinde, Funktion D for internal thread, function D	14,5	12,5			15,0	25,0			1.000	7.000	11,3
20786	M16l grau	für Innengewinde, Funktion D for internal thread, function D	14,5	12,5			15,0	25,0			1.000	7.000	11,3
20249	TL-7neu		14,7	11,7			9,5	16,0			1.000	15.000	18,8
20256	TL-7alt		14,7	11,7			9,5	17,0			1.000	15.000	18,8
20551	TL-7 rot	rot red	14,7	11,7			9,5	17,0			1.000	15.000	18,8
20124	TL-4-149		14,9	13,3			9,5	17,0			1.000	18.000	10,5
21037	TL-4-149	gelb yellow	14,9	13,3			9,5	17,0			1.000	18.000	10,5
21081	TL-4-149	grün green	14,9	13,3			9,5	17,0			1.000	18.000	10,5
20223	TL-8-150		15,0				9,0	22,5			1.000	15.000	10,0
20258	TL-9		15,0	12,5			9,5	19,2			1.000	15.000	21,0
20661	NW-6	gelb yellow	15,0	13,1	6,6		5,0						
21066	TL-8-150	leuchtrot luminous red	15,0				9,0	22,5			1.000	15.000	10,0
20793	M16x1,5		15,1				7,0	25,6			1.000	12.000	12,2
20799	M16x1,5	grün green	15,1				7,0	25,6			1.000	12.000	12,2
20125	TL-4-152		15,2	13,6			10,0	17,5			1.000	16.000	8,8
20396	TL-658	R3/8" (Innengewinde = Funktion D) (internal thread = function D)	15,2	13,6		11,2	9,2	23,0			1.000	15.000	10,5
21072	TL-4-152	leuchtrot luminous red	15,2	13,6			10,0	17,5			1.000	16.000	8,8
20061	TL-2-211		15,3	13,0			13,0	18,0			1.000	12.000	11,9
20224	TL-8-155		15,5				9,0	23,0			1.000	12.000	11,0
20273	TL-53		15,5	12,6			9,5	17,2			1.000	16.000	16,0
20778	M14A	für Außengewinde, Funktion d for external thread, function d	15,5	13,5			15,0	26,0			1.000	7.000	11,0
20126	TL-4-158		15,8	14,2			9,5	18,0			1.000	15.000	9,5
20767	S6A		15,8	13,8			15,0	26,0			1.000	6.000	9,0
21126	TL-4-158		15,8	14,2			9,5	18,0			1.000	15.000	9,5
20225	TL-8-160		16,0				9,5	23,0			1.000	12.000	10,3

Schutzstopfen und Schutzkappen / Daten- und Maßtabelle

Protective plugs and protective caps / Data and dimension table

Die Daten- und Maßtabelle nimmt Bezug auf die im Katalog dargestellten Schutzstopfen und Schutzkappen.

The data and dimension table refers to the protective plugs and protective caps shown in the catalogue.

Anfragen bitte an Boryszew Formenbau Deutschland GmbH, Fabrikstraße 16, 02692 Doberschau

Please send your request to Boryszew Formenbau Deutschland GmbH, Fabrikstraße 16, 02692 Doberschau, Germany

e-mail: kunststoff@wedo-formenbau.de, Tel.: 0049 3591 315 0



Stand 05/ 2022. Die Liste ist nach Größe des äußeren Funktionsaußendurchmessers D sortiert. Toleranzen entsprechend DIN 16901 - 150. Die Maße H bis K sind keine Funktionsmaße. Zukünftige Anpassungen behalten wir uns vor, im Zusammenhang mit Verbesserungen der Werkzeugfunktion.

The list is sorted according to the size of the outer functional diameter D. Tolerances according to DIN 16901 - 150. The dimensions H to K are not functional dimensions. We reserve the right to make future adjustments in connection with improvements to the tool function.

Artikel-Nr. article-nr.	Name name	Bemerkung comment	D mm	d mm	d1 mm	H mm	h mm	K mm	a mm	b mm	Verpackungs-Einheit - Packaging unit		
											Beutel small bag	Sack big bag	Sack in kg bag in kg
20062	TL-2-212		16,3	14,0			13,0	19,0			1.000	10.000	10,0
20127	TL-4-163		16,3	14,5			9,5	18,5			1.000	15.000	10,0
20866	TL-4-163		16,3	14,5			9,5	18,5			1.000	15.000	10,0
20226	TL-8-165		16,5				9,2	24,0			1.000	12.000	10,0
20755	M18I	für Innengewinde, Funktion D for internal thread, function D	16,5	13,5			15,0	31,0			1.000	5.000	12,7
20128	TL-4-169		16,9	14,6			9,5	19,0			1.000	15.000	12,3
20404	TL-666		16,9	15,1		11,8	9,0	24,0			1.000	15.000	12,0
20227	TL-8-170		17,0				9,0	25,5			1.000	10.000	8,5
20662	NW-8	gelb yellow	17,0	15,1	8,7		5,0						
21086	TL-8-170	leuchtrot luminous red	17,0				9,0	25,5			1.000	10.000	8,5
20794	M18x1,5		17,1				7,0	27,6			1.000	10.000	11,5
20129	TL-4-172		17,2	15,4			10,0	19,3			1.000	12.000	10,0
20261	TL-12		17,2	14,4			9,5	19,4			1.000	10.000	9,0
20228	TL-8-175		17,5				9,5	24,5			1.000	10.000	9,8
20743	S8I		17,5	14,5			17,0	32,0			1.000	4.000	11,4
20779	M16A	für Außengewinde, Funktion d for external thread, function d	17,5	15,5			15,0	28,0			1.000	6.000	10,2
20130	TL-4-178		17,8	16,0			9,5	20,0			1.000	12.000	9,3
20901	TL-4-178	rot red	17,8	16,0			9,5	20,0			1.000	12.000	
20229	TL-8-180		18,0				10,2	24,5			1.000	8.000	8,0
20722	St3		18,0	16,2			20,0	30,0			1.000	4.000	7,3
20378	TL-640		18,2			14,0		17,8					
20131	TL-4-183		18,3	16,5			9,5	20,5			1.000	12.000	10,8
20914	TL-4-183		18,3	16,5			9,5	20,5			1.000	12.000	10,8
20063	TL-2-213		18,4	16,0			17,0	21,0			1.000	6.000	10,0
20230	TL-8-185		18,5				10,3	25,5			1.000	8.000	8,0
20756	M20I	für Innengewinde, Funktion D for internal thread, function D	18,5	15,5			15,0	33,0			1.000	4.000	10,0
21077	TL-8-185	leuchtrot luminous red	18,5				10,3	25,5			1.000	8.000	8,0
20132	TL-4-188		18,8	17,0			10,0	21,0			1.000	12.000	9,2
20259	TL-10		18,8	15,7			9,5	21,2			1.000	1.000	12,0
20231	TL-8-190		19,0				10,0	26,0			1.000	8.000	8,0
20262	TL-13		19,0	16,3			9,5	23,2			1.000	10.000	15,0
20064	TL-2-214		19,3	17,0			13,0	22,0			1.000	8.000	8,8

Schutzstopfen und Schutzkappen / Daten- und Maßtabelle

Protective plugs and protective caps / Data and dimension table

Die Daten- und Maßtabelle nimmt Bezug auf die im Katalog dargestellten Schutzstopfen und Schutzkappen.

The data and dimension table refers to the protective plugs and protective caps shown in the catalogue.

Anfragen bitte an Boryszew Formenbau Deutschland GmbH, Fabrikstraße 16, 02692 Doberschau

Please send your request to Boryszew Formenbau Deutschland GmbH, Fabrikstraße 16, 02692 Doberschau, Germany

e-mail: kunststoff@wedo-formenbau.de, Tel.: 0049 3591 315 0



Stand 05/ 2022. Die Liste ist nach Größe des äußeren Funktionsaußendurchmessers D sortiert. Toleranzen entsprechend DIN 16901 - 150. Die Maße H bis K sind keine Funktionsmaße. Zukünftige Anpassungen behalten wir uns vor, im Zusammenhang mit Verbesserungen der Werkzeugfunktion.

The list is sorted according to the size of the outer functional diameter D. Tolerances according to DIN 16901 - 150. The dimensions H to K are not functional dimensions. We reserve the right to make future adjustments in connection with improvements to the tool function.

Artikel-Nr. article-nr.	Name name	Bemerkung comment	D mm	d mm	d1 mm	H mm	h mm	K mm	a mm	b mm	Verpackungs-Einheit - Packaging unit		
											Beutel small bag	Sack big bag	Sack in kg bag in kg
20133	TL-4-193		19,3	17,4			9,5	21,5			1.000	10.000	9,2
20397	TL-659		19,3	17,4		11,3	9,0	27,0			1.000	7.000	7,7
20663	NW-10	gelb yellow	19,3	17,2	10,7		7,0						
20202	TL-8-195	mit Loch with hole	19,5		8,5		10,0	28,0			1.000	7.000	7,5
20232	TL-8-195	ohne Loch without hole	19,5				10,0	26,5			1.000	7.000	7,5
20600	Str1		19,5	16,7		30,0							
35252	TL-659	feuerrot fire red	19,5			11,3		27,0			1.000	7.000	7,7
20274	TL-55		19,6	16,8			9,0	24,7			1.000	10.000	13,5
20134	TL-4-200		20,0	18,1			9,5	22,0			1.000	10.000	9,4
20233	TL-8-200		20,0				10,3	27,5			1.000	7.000	9,5
20448	TL-700		20,0	18,0		8,6	7,2						
21075	TL-8-200	leuchtrot luminous red	20,0				10,3	27,5			1.000	7.000	9,5
20744	S10I		20,4	17,5			20,0	40,0			500	2.500	10,0
20757	M22I	für Innengewinde, Funktion D for internal thread, function D	20,5	17,5			20,0	35,0			1.000	4.000	12,0
20780	M18A	für Außengewinde, Funktion d for external thread, function d	20,5	17,5			15,0	35,0			1.000	4.000	7,2
20065	TL-2-215		20,8	18,0			15,0	23,7			1.000	6.000	10,0
20405	TL-667		20,9	19,0		11,5	9,0	28,0			1.000	10.000	15,5
20234	TL-8-210		21,0				10,0	28,5			1.000	8.000	9,7
20275	TL-56		21,2	18,8			9,2	24,3			1.000	10.000	
20795	M22x1,5		21,2				8,0	32,6			500	10.000	15,5
20135	TL-4-209		21,4	19,0			9,2	23,0			1.000	9.000	9,9
20136	TL-4-214		21,4	19,5			9,8	23,5			1.000	8.000	8,9
20883	TL-4-209		21,4	19,0			9,2	23,0			1.000	9.000	9,9
20768	S8A		21,6	18,6			17,0	32,0			1.000	3.000	8,0
20367	TL-622		21,7	18,7			8,0	25,0			1.000	10.000	15,0
20235	TL-8-220		22,0				10,0	29,2			1.000	6.000	7,7
20664	NW-12	gelb yellow	22,0	20,2	14,0		7,0						
20724	St5		22,0	19,0			23,0	34,0			500	2.500	8,0
20137	TL-4-225		22,5	20,0			16,5	24,5			1.000	4.000	8,0
20269	M20x1,5-A	für Außengewinde, Funktion d for external thread, function d	22,5	19,7			12,0	24,4			1.000	8.000	19,2
20269	TL-28		22,5	19,7			12,0	24,4			1.000	8.000	19,2
20758	M24I	für Innengewinde, Funktion D for internal thread, function D	22,5	19,5			20,0	37,0			1.000	2.000	8,0

Schutzstopfen und Schutzkappen / Daten- und Maßtabelle

Protective plugs and protective caps / Data and dimension table

Die Daten- und Maßtabelle nimmt Bezug auf die im Katalog dargestellten Schutzstopfen und Schutzkappen.

The data and dimension table refers to the protective plugs and protective caps shown in the catalogue.

Anfragen bitte an Boryszew Formenbau Deutschland GmbH, Fabrikstraße 16, 02692 Doberschau

Please send your request to Boryszew Formenbau Deutschland GmbH, Fabrikstraße 16, 02692 Doberschau, Germany

e-mail: kunststoff@wedo-formenbau.de, Tel.: 0049 3591 315 0



Stand 05/ 2022. Die Liste ist nach Größe des äußeren Funktionsaußendurchmessers D sortiert. Toleranzen entsprechend DIN 16901 - 150. Die Maße H bis K sind keine Funktionsmaße. Zukünftige Anpassungen behalten wir uns vor, im Zusammenhang mit Verbesserungen der Werkzeugfunktion.

The list is sorted according to the size of the outer functional diameter D. Tolerances according to DIN 16901 - 150. The dimensions H to K are not functional dimensions. We reserve the right to make future adjustments in connection with improvements to the tool function.

Artikel-Nr. article-nr.	Name name	Bemerkung comment	D mm	d mm	d1 mm	H mm	h mm	K mm	a mm	b mm	Verpackungs-Einheit - Packaging unit			
											Beutel small bag	Sack big bag	Sack in kg bag in kg	
20781	M20A	für Außengewinde, Funktion d for external thread, function d	22,5	19,5				15,0	38,0			1.000	3.000	9,5
21029	TL-4-225	anthrazit anthracite	22,5	20,0				16,5	24,5			1.000	4.000	8,0
20066	TL-2-216		22,9	19,5				13,1	25,3			1.000	6.000	11,8
20236	TL-8-230		23,0					15,0	30,5			1.000	4.000	7,3
20139	TL-4-234		23,4	21,4				9,5	25,5			1.000	7.000	8,8
20725	St6		23,5	21,2				25,0	34,0			500	2.500	9,0
20601	Str2		23,7	20,8		30,0								
20782	M22A	für Außengewinde, Funktion d for external thread, function d	23,7	21,5				20,0	40,0			1.000	2.000	7,0
20067	TL-2-217		23,8	21,3				13,0	26,5			1.000	5.000	9,5
20190	TL-7-208	R1/2" (Außengewinde = Funktion d) (external thread = function d)	23,8	20,8				22,0				1.000	4.000	9,0
20237	TL-8-240		24,0					15,3	31,5			1.000	4.000	7,5
20270	M22x1.5-A	für Außengewinde, Funktion d for external thread, function d	24,0	21,5				16,5	26,0					
20270	TL-30		24,0	21,5				16,5	26,0					
20068	TL-2-218		24,2	21,2				20,0	27,0			500	3.000	8,4
21074	TL-2-218	leuchtrot luminous red	24,2	21,2				20,0	27,0			500	3.000	8,4
20272	TL-52		24,3	22,3				19,4	26,3			1.000	4.000	18,0
20769	S10A		24,7	21,7				20,0	40,0			1.000	2.000	8,3
20140	TL-4-248		24,8	22,7				9,2	27,5			1.000	6.000	9,3
20398	TL-660		24,8	22,7		11,5		9,0	33,0			1.000	5.000	9,2
21049	TL-4-248	gelb yellow	24,8	22,7				9,2	27,5			1.000	6.000	9,3
20138	TL-4-228		22,8	20,8				10,5	25,0			1.000	7.000	10,5
20238	TL-8-250		25,0					15,0	32,5			1.000	4.000	8,0
21064	TL-4-228	anthrazit anthracite	22,8	20,8				10,5	25,0			1.000	7.000	10,5
21303	TL-4-228	gelb yellow	22,8	20,8				10,5	25,0			1.000	7.000	10,5
20796	M26x1,5		25,2					7,0	36,6			500	5.000	9,5
20800	M26x1,5	blau blue	25,2					7,0	36,6			500	5.000	9,5
20745	S12I		25,3	22,3				22,0	45,0			500	1.500	8,2
21057	Schutzkappe	rot red	25,4	22,5		27,0			29,3					
20069	TL-2-219		25,5	22,8				17,0	28,0			1.000	3.000	8,7
20759	M27I	für Innengewinde, Funktion D for internal thread, function D	25,5	22,5				20,0	44,0			1.000	2.000	10,7
20844	TL-2-219	anthrazit anthracite	25,5	22,8				17,0	28,0			1.000	3.000	8,7
21069	TL-2-219	leuchtrot luminous red	25,5	22,8				17,0	28,0			1.000	3.000	8,7

Schutzstopfen und Schutzkappen / Daten- und Maßtabelle

Protective plugs and protective caps / Data and dimension table

Die Daten- und Maßtabelle nimmt Bezug auf die im Katalog dargestellten Schutzstopfen und Schutzkappen.

The data and dimension table refers to the protective plugs and protective caps shown in the catalogue.

Anfragen bitte an Boryszew Formenbau Deutschland GmbH, Fabrikstraße 16, 02692 Doberschau

Please send your request to Boryszew Formenbau Deutschland GmbH, Fabrikstraße 16, 02692 Doberschau, Germany

e-mail: kunststoff@wedo-formenbau.de, Tel.: 0049 3591 315 0



Stand 05/ 2022. Die Liste ist nach Größe des äußeren Funktionsaußendurchmessers D sortiert. Toleranzen entsprechend DIN 16901 - 150. Die Maße H bis K sind keine Funktionsmaße. Zukünftige Anpassungen behalten wir uns vor, im Zusammenhang mit Verbesserungen der Werkzeugfunktion.

The list is sorted according to the size of the outer functional diameter D. Tolerances according to DIN 16901 - 150. The dimensions H to K are not functional dimensions. We reserve the right to make future adjustments in connection with improvements to the tool function.

Artikel-Nr. article-nr.	Name name	Bemerkung comment	D mm	d mm	d1 mm	H mm	h mm	K mm	a mm	b mm	Verpackungs-Einheit - Packaging unit		
											Beutel small bag	Sack big bag	Sack in kg bag in kg
20141	TL-4-257		25,7	23,7			9,5	29,3			1.000	5.000	7,9
20910	TL-4-257	gelb yellow	25,7	23,7			9,5	29,3			1.000	5.000	7,9
20070	TL-2-220		26,0	23,2			20,5	30,2			500	2.500	8,2
20239	TL-8-260		26,0				15,0	33,5			1.000	4.000	8,3
20266	TL-17	natur nature	26,0	23,5			9,0	28,6			1.000	5.000	9,0
20559	TL-17	schwarz black	26,0	23,5			9,0	28,6			1.000	5.000	9,0
21302	TL-2-220		26,0	23,2			20,5	30,0			500	2.500	8,2
20271	TL-32		26,2	23,5			19,5	28,5			1.000	3.000	9,3
20664	NW-16	gelb yellow	26,5	24,5	17,6		10,0						
20783	M24A	für Außengewinde, Funktion d for external thread, function d	26,5	23,5			20,0	42,0			1.000	2.000	8,9
20142	TL-4-268		26,8	24,8			9,5	29,4			1.000	5.000	7,9
20071	TL-2-221		27,0	24,3			19,0	30,0			500	2.500	8,0
20240	TL-8-270		27,0				15,0	34,0			1.000	3.000	6,7
21065	TL-2-221	leuchtrot luminous red	27,0	24,3			19,0	30,0			500	2.500	8,0
20241	TL-8-280		28,0				15,3	35,5			1.000	3.000	8,0
20726	St7		28,0	25,5			25,0	45,0			500	1.500	7,4
20072	TL-2-222		28,4	25,5			13,0	31,0			500	3.000	8,0
20143	TL-4-288		28,8	25,8			19,3	30,3			1.000	3.000	10,0
20372	TL-634		28,8	25,8			9,5	32,2			1.000	4.000	10,0
20928	TL-4-288	gelb yellow	28,8	25,8			19,3	30,3			1.000	3.000	10,0
35251	Schutzkappe		29,0	23,0			19,0	32,0					
20073	TL-2-223		29,0	26,5			19,0	32,0			500	2.000	6,5
20242	TL-8-290		29,0				15,0	36,0			500	2.500	5,6
21053	Schutzkappe		29,3	25,4		27,0		29,2					
20727	St8		29,5	27,0			25,0	46,0			500	1.500	7,7
20770	S12A		29,5	26,5			22,0	45,0			500	1.500	8,0
20074	TL-2-224		30,0	27,3			19,0	33,0			500	2.000	6,2
20243	TL-8-300		30,0				15,0	37,0			500	2.500	6,5
20602	Str3		30,0	25,2		35,0							
20144	TL-4-310		31,0	28,0			9,2	34,0			1.000	3.000	7,5
20244	TL-8-310		31,0				16,0	38,5			1.000	2.000	6,2
20302	TL-4-310	gelb yellow	31,0	28,0			9,2	34,0			1.000	3.000	7,5

Schutzstopfen und Schutzkappen / Daten- und Maßtabelle

Protective plugs and protective caps / Data and dimension table

Die Daten- und Maßtabelle nimmt Bezug auf die im Katalog dargestellten Schutzstopfen und Schutzkappen.

The data and dimension table refers to the protective plugs and protective caps shown in the catalogue.

Anfragen bitte an Boryszew Formenbau Deutschland GmbH, Fabrikstraße 16, 02692 Doberschau

Please send your request to Boryszew Formenbau Deutschland GmbH, Fabrikstraße 16, 02692 Doberschau, Germany

e-mail: kunststoff@wedo-formenbau.de, Tel.: 0049 3591 315 0



Stand 05/ 2022. Die Liste ist nach Größe des äußeren Funktionsaußendurchmessers D sortiert. Toleranzen entsprechend DIN 16901 - 150. Die Maße H bis K sind keine Funktionsmaße. Zukünftige Anpassungen behalten wir uns vor, im Zusammenhang mit Verbesserungen der Werkzeugfunktion.

The list is sorted according to the size of the outer functional diameter D. Tolerances according to DIN 16901 - 150. The dimensions H to K are not functional dimensions. We reserve the right to make future adjustments in connection with improvements to the tool function.

Artikel-Nr. article-nr.	Name name	Bemerkung comment	D mm	d mm	d1 mm	H mm	h mm	K mm	a mm	b mm	Verpackungs-Einheit - Packaging unit			
											Beutel small bag	Sack big bag	Sack in kg bag in kg	
20399	TL-661		31,0	28,3		11,3	9,2	40,3						
20666	NW-20	gelb yellow	31,5	28,5	21,6		10,0							
20728	St9		31,5	29,0			25,0	52,0			-	1.000	6,0	
20760	M33I	für Innengewinde, Funktion D for internal thread, function D	31,5	28,5			20,0	50,0			500	1.500	9,0	
33620	Schutzkappe		31,5	28,5			11,5	35,0						
20145	TL-4-317		31,7	29,7			9,0	34,0			1.000	4.000	7,7	
20746	S16I		31,8	28,3			24,0	55,0			-	1.000	8,0	
20075	TL-2-225		32,0	29,0			23,0	35,0			1.000	2.000	8,7	
20245	TL-8-320		32,0				16,0	39,5			1.000	2.000	6,0	
20146	TL-4-322		32,2	29,6			20,0	34,0			1.000	2.000	7,0	
20246	TL-8-330		33,0				16,0	40,5			1.000	2.000	6,0	
20247	TL-8-340		34,0				16,0	41,5			1.000	2.000	7,0	
20443	TL-705		34,3	30,7			15,0	37,6						
20147	TL-4-348		34,8	32,8			9,5	37,0			1.000	4.000	9,2	
20076	TL-2-226		35,0	33,0			22,0	38,0			500	1.500	5,8	
20192	TL-7-330	R1* (Außengewinde = Funktion d) (external thread = function d)	35,0	33,0			26,0				1.000	2.000	5,8	
20248	TL-8-350		35,0				16,0	42,5			1.000	2.000	7,0	
20729	St10		35,0	32,8			25,0	57,0			-	1.000	7,0	
20149	TL-4-355		35,5	32,5			19,2	37,0			1.000	2.000	9,2	
20785	M33A	für Außengewinde, Funktion d for external thread, function d	35,5	32,5			20,0	55,0			-	1.000	6,7	
20771	S16A		35,8	32,8			24,0	55,0			-	1.000	7,2	
20150	TL-4-368		36,8	34,8			9,5	39,0			500	3.000	8,0	
20882	TL-4-368	gelb yellow	36,8	34,8			9,5	39,0			500	3.000	8,0	
20077	TL-2-227		37,0	34,0			8,0	40,0			1.000	3.000	9,7	
20667	NW-25	gelb yellow	37,5	34,5	27,6		10,0							
20730	St11		38,0	35,0			25,0	60,0			-	800	7,2	
20078	TL-2-228		38,5	34,5			25,5	41,4			1.000	1.000	7,5	
20151	TL-4-388		38,8	36,0			9,5	41,0			1.000	3.000	9,6	
20884	TL-4-388	gelb yellow	38,8	36,0			9,5	41,0			1.000	3.000	9,6	
20747	S20I		39,4	36,4			25,0	65,0			-	800	8,8	
20731	St12		39,5	36,2			25,0	60,0			-	800	6,8	
20079	TL-2-229		40,0	37,5			29,0	43,0			-	1.000	7,5	

Schutzstopfen und Schutzkappen / Daten- und Maßtabelle

Protective plugs and protective caps / Data and dimension table

Die Daten- und Maßtabelle nimmt Bezug auf die im Katalog dargestellten Schutzstopfen und Schutzkappen.

The data and dimension table refers to the protective plugs and protective caps shown in the catalogue.

Anfragen bitte an Boryszew Formenbau Deutschland GmbH, Fabrikstraße 16, 02692 Doberschau

Please send your request to Boryszew Formenbau Deutschland GmbH, Fabrikstraße 16, 02692 Doberschau, Germany

e-mail: kunststoff@wedo-formenbau.de, Tel.: 0049 3591 315 0



Stand 05/ 2022. Die Liste ist nach Größe des äußeren Funktionsaußendurchmessers D sortiert. Toleranzen entsprechend DIN 16901 - 150. Die Maße H bis K sind keine Funktionsmaße. Zukünftige Anpassungen behalten wir uns vor, im Zusammenhang mit Verbesserungen der Werkzeugfunktion.

The list is sorted according to the size of the outer functional diameter D. Tolerances according to DIN 16901 - 150. The dimensions H to K are not functional dimensions. We reserve the right to make future adjustments in connection with improvements to the tool function.

Artikel-Nr. article-nr.	Name name	Bemerkung comment	D mm	d mm	d1 mm	H mm	h mm	K mm	a mm	b mm	Verpackungs-Einheit - Packaging unit		
											Beutel small bag	Sack big bag	Sack in kg bag in kg
20152	TL-4-405		40,5	37,5			9,5	43,0			500	2.500	10,0
20732	St13		41,0	37,8			25,0	63,0			-	700	6,0
20080	TL-2-230		41,5	38,0			27,0	44,0			-	1.000	7,5
20081	TL-2-231		42,0	39,2			29,0	45,0			-	1.000	7,6
20193	TL-7-410	R1 1/4" (Außengewinde = Funktion d) (external thread = function d)	43,0	41,0			28,9				-	1.000	5,5
20772	S20A		43,8	40,8			25,0	65,0			-	700	7,0
20735	St16		44,4	41,7			27,0	64,0			-	700	7,0
20082	TL-2-232		44,5	41,2			28,0	47,0			-	900	8,0
20153	TL-4-445		44,5	42,0			19,0	46,0					
20154	TL-4-460		46,0	43,0			9,0	49,0			1.000	2.000	9,8
20733	St14		47,0	43,8			25,0	65,0			-	500	6,2
20083	TL-2-233		47,5	44,0			28,0	50,0			-	800	7,5
20155	TL-4-477		47,7	44,7			9,5	50,0			1.000	2.000	8,6
20084	TL-2-234		48,5	46,5			29,0	52,0			-	700	5,7
20085	TL-2-235		49,2	46,5			9,0	53,0			1.000	2.000	8,0
20156	TL-4-500		50,0	47,0			19,2	51,5			-	1.000	7,5
20736	St17		50,2	47,4			27,0	73,0			-	500	6,6
20157	TL-4-520		52,0	49,5			9,5	54,5			500	1.500	8,3
20086	TL-2-236		53,0	51,0			28,5	56,5				700	
20087	TL-2-237		53,7	50,5			33,0	57,0			-	500	5,8
20734	St15		54,0	50,0			30,0	76,0			-	400	6,5
20158	TL-4-547		54,7	51,7			9,5	60,0			500	1.500	8,5
20088	TL-2-238		55,3	50,5			19,0	59,5			-	800	10,0
20159	TL-4-560		56,0	54,0			22,0	58,5			-	800	8,0
20160	TL-4-580		58,0	55,0			12,0	61,0			500	1.000	7,6
20089	TL-2-239		59,0	55,5			24,5	64,0			-	500	6,5
20161	TL-4-615		61,5	58,5			21,0	63,0			700	700	6,3
20090	TL-2-240		62,0	60,0			26,5	67,5			-	500	6,3
20091	TL-2-241		64,0	61,5			29,0	69,0			-	500	6,5
20092	TL-2-242		65,5	62,0			18,5	70,5			-	500	6,5
20093	TL-2-243		66,4	63,5			17,5	72,5			-	700	7,7
20094	TL-2-244		69,5	66,5			28,5	73,5			-	400	6,5

Schutzstopfen und Schutzkappen / Daten- und Maßtabelle

Protective plugs and protective caps / Data and dimension table

Die Daten- und Maßtabelle nimmt Bezug auf die im Katalog dargestellten Schutzstopfen und Schutzkappen.

The data and dimension table refers to the protective plugs and protective caps shown in the catalogue.

Anfragen bitte an Boryszew Formenbau Deutschland GmbH, Fabrikstraße 16, 02692 Doberschau

Please send your request to Boryszew Formenbau Deutschland GmbH, Fabrikstraße 16, 02692 Doberschau, Germany

e-mail: kunststoff@wedo-formenbau.de, Tel.: 0049 3591 315 0



Stand 05/ 2022. Die Liste ist nach Größe des äußeren Funktionsaußendurchmessers D sortiert. Toleranzen entsprechend DIN 16901 - 150. Die Maße H bis K sind keine Funktionsmaße. Zukünftige Anpassungen behalten wir uns vor, im Zusammenhang mit Verbesserungen der Werkzeugfunktion.

The list is sorted according to the size of the outer functional diameter D. Tolerances according to DIN 16901 - 150. The dimensions H to K are not functional dimensions. We reserve the right to make future adjustments in connection with improvements to the tool function.

Artikel-Nr. article-nr.	Name name	Bemerkung comment	D mm	d mm	d1 mm	H mm	h mm	K mm	a mm	b mm	Verpackungs-Einheit - Packaging unit		
											Beutel small bag	Sack big bag	Sack in kg bag in kg
20912	TL-2-244		69,5	66,5			28,5	73,5				400	6,5
20162	TL-4-725		72,5	68,0			18,5	78,5			-	500	9,5
20196	TL-7-725	R2 1/2"ASA	75,0	70,5			44,0				-	300	4,8
20095	TL-2-245		76,0	71,0			19,5	80,5			-	400	6,5
20851	TL-2-245		76,0	71,0			19,5	80,5			-	400	6,5
20096	TL-2-246		77,0	72,5			18,0	81,0			-	400	7,7
20392	TL-654		84,5	79,5			38,0	100,0			-	180	5,9
20097	TL-2-247		88,0	82,0			29,3	100,0			-	200	7,6
20098	TL-2-248		96,5	91,5			27,5	98,0			-	200	7,5
20099	TL-2-249	mit Griff with handle	101,0	97,0			19,0	105,0			-	25	6,6
21300	Verschluss- kappe		101,0	97,0			20,0	105,0					
21301	Siebkappe		101,0	97,0			20,0	105,0					
35253	TL-2-249	ohne Griff without handle	101,0	97,0			19,0	105,0			-	25	6,6
19950	TL-1-102	Verwendung für Rohre Use for tubes		10,2			17,0				1.000	20.000	13,5
19953	TL-1-135	Verwendung für Rohre Use for tubes		13,5			17,0				1.000	10.000	10,0
19956	TL-1-160	Verwendung für Rohre Use for tubes		16,0			17,0				1.000	8.000	9,5
19959	TL-1-172	Verwendung für Rohre Use for tubes		17,2			20,0				1.000	7.000	10,0
19963	TL-1-200	Verwendung für Rohre Use for tubes		20,0			22,0				1.000	5.000	10,0
19964	TL-1-213	Verwendung für Rohre Use for tubes		21,3			22,0				1.000	4.000	9,2
19966	TL-1-250	Verwendung für Rohre Use for tubes		25,0			22,0				1.000	3.000	7,8
19968	TL-1-269	Verwendung für Rohre Use for tubes		26,9			27,0				500	2.000	8,0
19970	TL-1-300	Verwendung für Rohre Use for tubes		30,0			27,0				1.000	2.000	8,0
19972	TL-1-318	Verwendung für Rohre Use for tubes		31,8			27,0				1.000	2.000	9,0
19974	TL-1-337	Verwendung für Rohre Use for tubes		33,7			27,0				500	1.500	7,3
19977	TL-1-380	Verwendung für Rohre Use for tubes		38,0			27,0				500	1.500	8,0
19980	TL-1-424	Verwendung für Rohre Use for tubes		42,4			27,5				-	1.000	5,5
19982	TL-1-445	Verwendung für Rohre Use for tubes		44,5			33,0				-	900	6,0
19985	TL-1-483	Verwendung für Rohre Use for tubes		48,3			33,0				-	700	6,5
19987	TL-1-510	Verwendung für Rohre Use for tubes		51,0			33,0				-	500	6,2
19992	TL-1-603	Verwendung für Rohre Use for tubes		60,3			38,0				-	400	5,2
19994	TL-1-635	Verwendung für Rohre Use for tubes		64,5			41,0				-	350	4,8
19996	TL-1-700	Verwendung für Rohre Use for tubes		70,0			38,0				-	300	5,0

Schutzstopfen und Schutzkappen / Daten- und Maßtabelle

Protective plugs and protective caps / Data and dimension table

Die Daten- und Maßtabelle nimmt Bezug auf die im Katalog dargestellten Schutzstopfen und Schutzkappen.

The data and dimension table refers to the protective plugs and protective caps shown in the catalogue.

Anfragen bitte an Boryszew Formenbau Deutschland GmbH, Fabrikstraße 16, 02692 Doberschau

Please send your request to Boryszew Formenbau Deutschland GmbH, Fabrikstraße 16, 02692 Doberschau, Germany

e-mail: kunststoff@wedo-formenbau.de, Tel.: 0049 3591 315 0



Stand 05/ 2022. Die Liste ist nach Größe des äußeren Funktionsaußendurchmessers D sortiert. Toleranzen entsprechend DIN 16901 - 150. Die Maße H bis K sind keine Funktionsmaße. Zukünftige Anpassungen behalten wir uns vor, im Zusammenhang mit Verbesserungen der Werkzeugfunktion.

The list is sorted according to the size of the outer functional diameter D. Tolerances according to DIN 16901 - 150. The dimensions H to K are not functional dimensions. We reserve the right to make future adjustments in connection with improvements to the tool function.

Artikel-Nr. article-nr.	Name name	Bemerkung comment	D mm	d mm	d1 mm	H mm	h mm	K mm	a mm	b mm	Verpackungs-Einheit - Packaging unit		
											Beutel small bag	Sack big bag	Sack in kg bag in kg
19998	TL-1-761	Verwendung für Rohre Use for tubes		76,1			41,0				-	250	4,8
20000	TL-1-825	Verwendung für Rohre Use for tubes		82,5			47,0				-	200	5,0
20002	TL-1-889	Verwendung für Rohre Use for tubes		88,9			47,0				-	150	3,5
20005	TL-1-1016	Verwendung für Rohre Use for tubes		101,6			47,0				-	125	4,9
20008	TL-1-1080	Verwendung für Rohre Use for tubes		108,0			47,0				-	100	3,5
20010	TL-1-1143	Verwendung für Rohre Use for tubes		114,3			47,0				-	100	4,6
20100	TL-3-142	orange					19,2		14,2	16,0			
20101	TL-3-158	orange					20,0		15,2	17,5			
20102	TL-3-174	orange					21,2		17,1	19,2	1.000	5.000	
20103	TL-3-223	orange					22,7		22,5	24,2	1.000	5.000	
20104	TL-3-255	orange					25,0		25,1	27,7	500	2.000	
20105	TL-3-318	orange					27,7		32,0	34,0	500	1.500	
20106	TL-3-383	orange					27,5		37,6	40,2			
20107	TL-3-506	orange					27,7		49,6	52,5			
20108	TL-3-570	orange					27,0		55,9	59,4			
20408	TL-670					20,5			41,0	41,0			
37782	Splint	rot red											
37784	Splint	schwarz black											
35255	TL-3-255	grün green					25,0		25,1	27,7	500	2.000	
35254	TL-3-158	grün green					20,0		15,2	17,5			